

Operating Manual

RM-01 **Remote Microphone**



©Copyright 2004 Inter-M Corporation

interM

Contents

Welcome	3
Unpacking	3
Warnings	3
Operation.....	4
Remote Microphone	5
Features	5
Goose Neck Assembly	6
Polar Pattern and Response	8
Block Diagram	8
<u>Specifications.....</u>	<u>9</u>

Welcome

A personal welcome to you from the management and employees of Inter-M

Thank you for purchasing this fine Inter-M product. All of us here at Inter-M are dedicated to providing you with the highest quality products and the best value.

We sincerely trust this product will provide you with years of satisfactory service, but if anything is not to your complete satisfaction, we will endeavor to make things right.

Welcome to Inter-M, and thank you for becoming a part of our worldwide extended family!

Unpacking

Although your RM-01 remote microphone is neither complicated nor difficult to operate, we recommend you take a few minutes to read this brief manual and familiarize yourself with the important information regarding product features, setup and operation.

As with most electronic devices, we strongly recommend you retain the original packaging. In the unlikely event the product must be returned for servicing, the original packaging (or reasonable equivalent) is required.

Warnings


Environment

Never place this product in an environment that could alter its performance or reduce its service life. Such environments are usually characterized by high levels of heat, dust, moisture, or vibration.

Safety

1. Read these instructions carefully.
2. Follow all instructions.
3. Keep all warnings.
4. Do not operate this apparatus near water.
5. Clean only with a damp cloth.
6. Do not block any of the ventilation openings.
7. Install only in accordance with the instructions in this manual.

8. Do not install near any heat sources such as radiators, heat registers, stoves, or other devices (including amplifiers) that produce heat.
9. Use only the attachments/accessories specified.
10. Use only with a cart, stand, tripod, bracket, or table specified, or sold with the apparatus. When a cart is used, use caution when moving the cart/apparatus combination to avoid overturning.
11. Unplug this apparatus during lightning storms or when unused for long periods of time.
12. Refer all servicing to qualified service personnel. Servicing is required when the apparatus has been damaged in any way, such as power supply cord or plug is damaged, liquid has been spilled or objects have fallen into the apparatus, the apparatus has been exposed to rain or moisture, does not operate normally, or has been dropped.

 <p>CAUTION RISK OF ELECTRIC SHOCK DO NOT OPEN</p>	<p>This symbol is intended to alert the user to the presence of uninsulated "dangerous voltage" within the product's enclosure that may be of sufficient magnitude to constitute a risk of electric shock to persons.</p>
<p>CAUTION: TO REDUCE THE RISK OF ELECTRIC SHOCK, DO NOT REMOVE COVER (OR BACK). NO USER-SERVICEABLE PARTS INSIDE. REFER SERVICING TO QUALIFIED SERVICE PERSONNEL.</p>	<p>This symbol is intended to alert the user to the presence of important operation and maintenance (servicing) instructions in the literature accompanying the appliance.</p>
<p>WARNING</p> <p>To prevent fire or shock hazard, do not expose the unit to rain or moisture.</p>	<p>Caution: To prevent electric shock do not use this (polarized) plug with an extension cord, receptacle or other outlet unless the blades can be fully inserted to prevent blade exposure.</p>
<p>*Do not install this equipment in a confined space such as a book case or similar unit. *The apparatus shall not be exposed to dripping or splashing and no objects filled with liquids, such as vases, shall be placed on the apparatus. *Worded: "WARNING FOR YOUR PROTECTION PLEASE READ THE FOLLOWING-WATER AND MOISTURE: Unit should not be used near water (e.g. near a bathtub, washbowl, kitchen sink, laundry tub, in a wet basement, or near a swimming pool, etc). Care should be taken so that objects do not fall and liquids are not spilled into the enclosure through openings."</p>	<p>Attention: Pour prévenir les chocs électriques ne pas utiliser cette fiche polarisée avec un prolongateur, une prise de courant ou une autre sortie de courant, sauf si les lames peuvent être insérées à fond sans en laisser aucune partie à découvert.</p>

Operation

Make certain that speakers and input sources are properly connected before switching on.

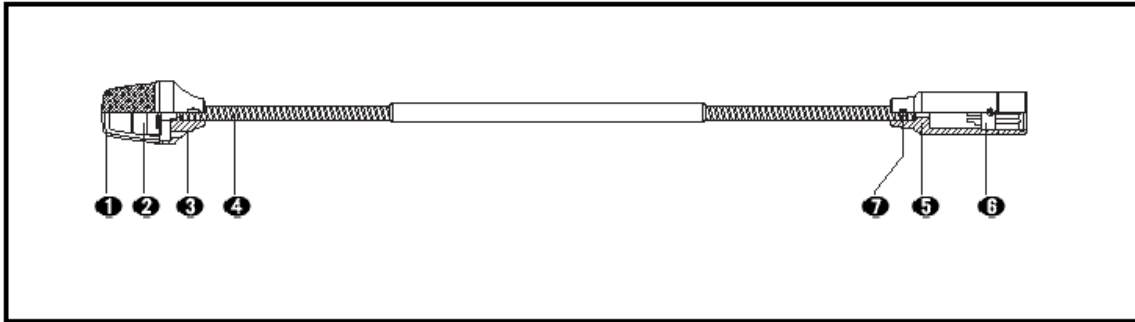
Keep volume levels at minimum gain before switching on.

RM-01
Remote Microphone

Features

- **Unidirectional Dynamic Microphone**
- **Frequency Range of 60Hz to 18kHz**
- **Remote Chime Switch**
- **Mic On/Off Switch**
- **Convenient Two-Button Operation**

Goose Neck Assembly



1. Wind Screen

Designed to reduce wind noise and popping effects.

2. Microphone Element

The microphone has a frequency range of 60Hz to 18kHz.

3. Element Base

Aluminum shielding designed to protect the microphone element and hold it firmly to the Gooseneck (4).

4. Gooseneck

Flexible Gooseneck allows adjustment of the microphone without moving the base.

5. Connector Base

Heavy-cast metal casing helps to secure the gooseneck to the stand assembly and protect the connector's electronics.

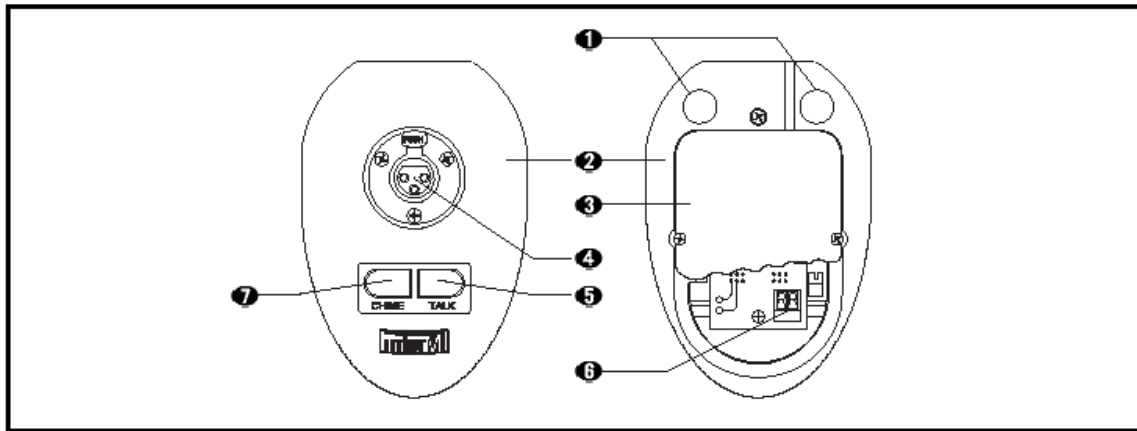
6. Connector

Balanced XLR connector.

7. Wrench Bolt

This bolt may be used to tighten and adjust the fit of the Gooseneck (4) and Connector Base (5).

Base Assembly



1. Rubber Feet

Non-slip rubber feet help hold the unit firmly on glass or tabletop.

2. Base

Heavy-duty die-cast base helps to stabilize the microphone while minimizing external noise caused by hands, papers or other items coming in contact with the unit.

3. Base Cover

Removable cover plate protects internal connections.

4. Base Connector

XLR input connector for attaching gooseneck assembly.

5. Talk Switch

Press this switch to activate the microphone. Press it again to deactivate.

6. Terminal Block

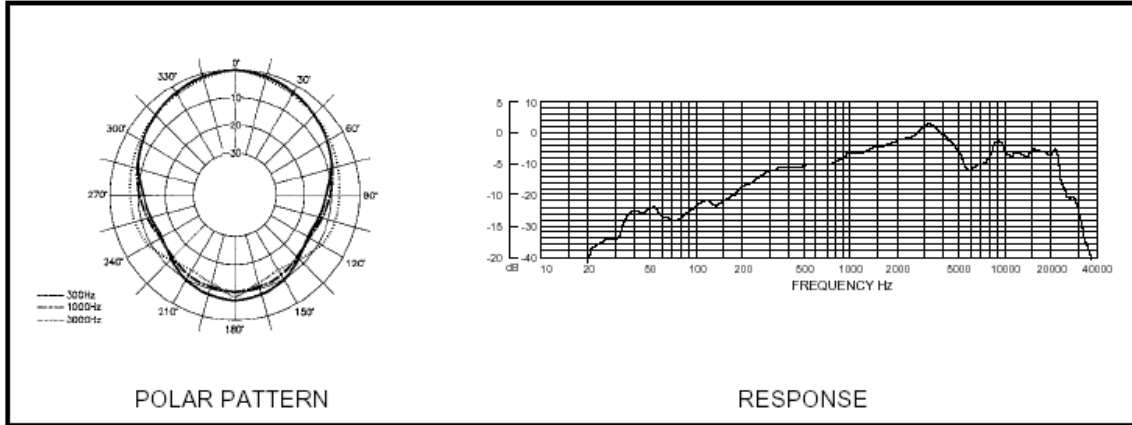
Multi-pin assembly for connecting the microphone with the remote Chime Switch (7).

7. Chime Switch

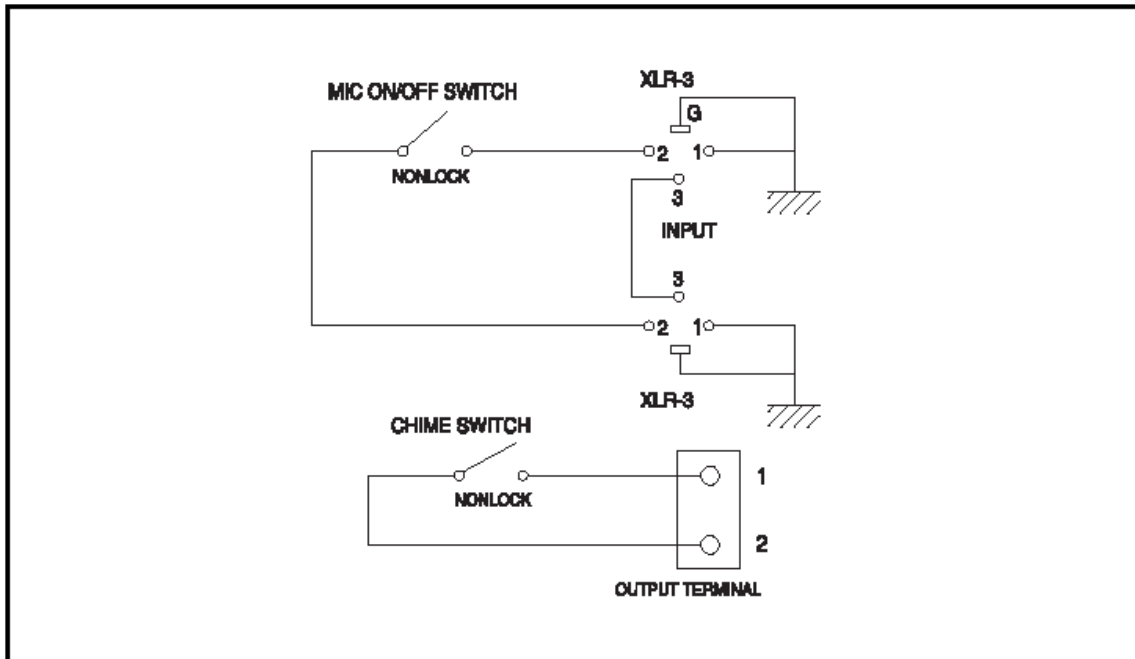
When the remote chime assembly is connected via the Terminal Block (6), pressing this switch activates the Chime circuitry.

Polar Pattern and Response

The diagrams below illustrate the RM-01's unidirectional polar pattern (left), and its frequency response over the ascribed frequency range.



Block Diagram



Specifications

Polar Pattern	Unidirectional
Type	Moving Coil Dynamic
Sensitivity/Impedance	-75dB \pm 3dB(0dB=1V/Pa at 1kHz), 400 Ω
Frequency Range	60Hz-18kHz
Max SPL for 0.5% THD	130dB (1kHz)
Weight	1.4kg / 49 oz.
Dimensions	90(W) x 45(H) x 133(D) mm 3.5(W) x 1.77(H) x 5.24(D) in.

Specifications and design subject to change without notice for improvements.



Inter-M, Ltd. (Korea) began operations in 1983.

Since then, Inter-M has grown to become one of the largest manufacturers of professional audio and commercial sound electronics equipment in the world.

Inter-M has gained worldwide recognition for its own branded products, as well as private label manufacturing of electronics sold under other names (OEM).

The company is no longer just a Korean company, but rather a global company that is truly international in scope, with factories and offices in Korea and China, and sales and marketing operations located in Japan, Europe, and the U.S.A.

With more than 850 employees around the globe, Inter-M is well-poised for further growth and expansion.

INTER-M AMERICAS, INC.

1 EAST BEACON LIGHT LANE, CHESTER, PA, USA 19013-4409

TEL: (610) 874-8870, FAX: (610) 874-8890

Home Page:<http://www.inter-m.net>, E-mail: service@inter-m.net

INTER-M Corporation

SEOUL OFFICE: 653-5 BANGHAK-DONG, DOBONG-KU, SEOUL, KOREA

TEL: 82-2-2289-8140~8, FAX: 82-2-2289-8149

Home Page:<http://www.inter-m.com>, E-mail: export@inter-m.com