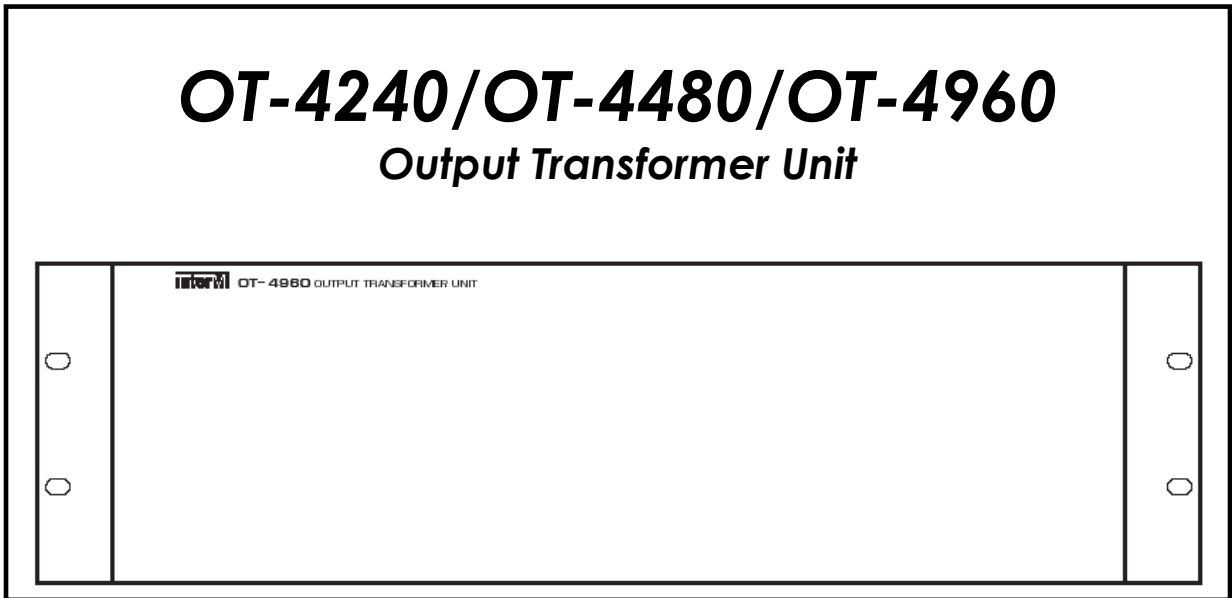


Operating Manual

OT-4240/OT-4480/OT-4960 Output Transformer Unit



©Copyright 2004 Inter-M Corporation

interM

Contents

Welcome	3
Unpacking	3
Warnings	3
Operation.....	5
Output Transformer Unit	6
Features	6
Rear Panel Controls	7
Connections.....	8
Block Diagram (OT-4960).....	9
Block Diagram (OT-4240 / OT-4480).....	10
Specifications.....	11

Welcome

A personal welcome to you from the management and employees of Inter-M

Thank you for purchasing this fine Inter-M product. All of us here at Inter-M are dedicated to providing you with the highest quality products and the best value.

We sincerely trust this product will provide you with years of satisfactory service, but if anything is not to your complete satisfaction, we will endeavor to make things right.

Welcome to Inter-M, and thank you for becoming a part of our worldwide extended family!

Unpacking

Although this unit is neither complicated nor difficult to operate, we recommend you take a few minutes to read this brief manual and familiarize yourself with the important information regarding product features, setup and operation.

As with most electronic devices, we strongly recommend you retain the original packaging. In the unlikely event the product must be returned for servicing, the original packaging (or reasonable equivalent) is required.

Warnings




Environment

Never place this product in an environment that could alter its performance or reduce its service life. Such environments are usually characterized by high levels of heat, dust, moisture, or vibration.

Safety

1. Read these instructions carefully.
2. Follow all instructions.
3. Keep all warnings.
4. Do not operate this apparatus near water.
5. Clean only with a damp cloth.
6. Do not block any of the ventilation openings.
7. Install only in accordance with the instructions in this manual.

8. Do not install near any heat sources such as radiators, heat registers, stoves, or other devices (including amplifiers) that produce heat.
9. Do not defeat the safety purpose of the polarized or grounding type plug. A polarized plug has two blades, with one wider than the other. A grounding type plug has two blades and a third grounding prong. The wide blade or the third prong is provided for your safety. If the provided plug does not fit into your outlet, consult an electrician for replacement of the obsolete outlet.
10. Protect the power cord from being walked on or pinched, particularly at plugs, convenience receptacles, and the point where it is attached to the apparatus.
11. Use only the attachments/accessories specified.
12. Use only with a cart, stand, tripod, bracket, or table specified, or sold with the apparatus. When a cart is used, use caution when moving the cart/apparatus combination to avoid overturning.
13. Unplug this apparatus during lightning storms or when unused for long periods of time.
14. Refer all servicing to qualified service personnel. Servicing is required when the apparatus has been damaged in any way, such as power supply cord or plug is damaged, liquid has been spilled or objects have fallen into the apparatus, the apparatus has been exposed to rain or moisture, does not operate normally, or has been dropped.

 <p>CAUTION: TO REDUCE THE RISK OF ELECTRIC SHOCK, DO NOT REMOVE COVER (OR BACK). NO USER-SERVICEABLE PARTS INSIDE. REFER SERVICING TO QUALIFIED SERVICE PERSONNEL.</p>	 <p>This symbol is intended to alert the user to the presence of uninsulated "dangerous voltage" within the product's enclosure that may be of sufficient magnitude to constitute a risk of electric shock to persons.</p>
<p>WARNING</p> <p>To prevent fire or shock hazard, do not expose the unit to rain or moisture.</p>	 <p>This symbol is intended to alert the user to the presence of important operation and maintenance (servicing) instructions in the literature accompanying the appliance.</p>
<p>Caution: To prevent electric shock do not use this (polarized) plug with an extension cord, receptacle or other outlet unless the blades can be fully inserted to prevent blade exposure.</p>	
<p>Attention: Pour prévenir les chocs électriques ne pas utiliser cette fiche polarisée avec un prolongateur, une prise de courant ou une autre sortie de courant, sauf si les lames peuvent être insérées à fond sans en laisser aucune partie à découvert.</p>	
<p>*Do not install this equipment in a confined space such as a book case or similar unit. *The apparatus shall not be exposed to dripping or splashing and no objects filled with liquids, such as vases, shall be placed on the apparatus. *Worded: "WARNING FOR YOUR PROTECTION PLEASE READ THE FOLLOWING-WATER AND MOISTURE: Unit should not be used near water(e.g. near a bathtub, washbowl, kitchen sink, laundry tub, in a wet basement, or near a swimming pool, etc). Care should be taken so that objects do not fall and liquids are not spilled into the enclosure through openings."</p>	

Operation

Make certain that speakers and input sources are properly connected before switching on.

Keep volume levels at minimum gain before switching on.

OT-4240/OT-4480/OT-4960 Output Transformer Unit

Features

Bring Distributed Audio to Your System

- Transforms the 4 Ω output of the Inter-M QD-4240/QD-4480/QD-4960 to a 70V or 100V output level for use with high-impedance speaker systems.

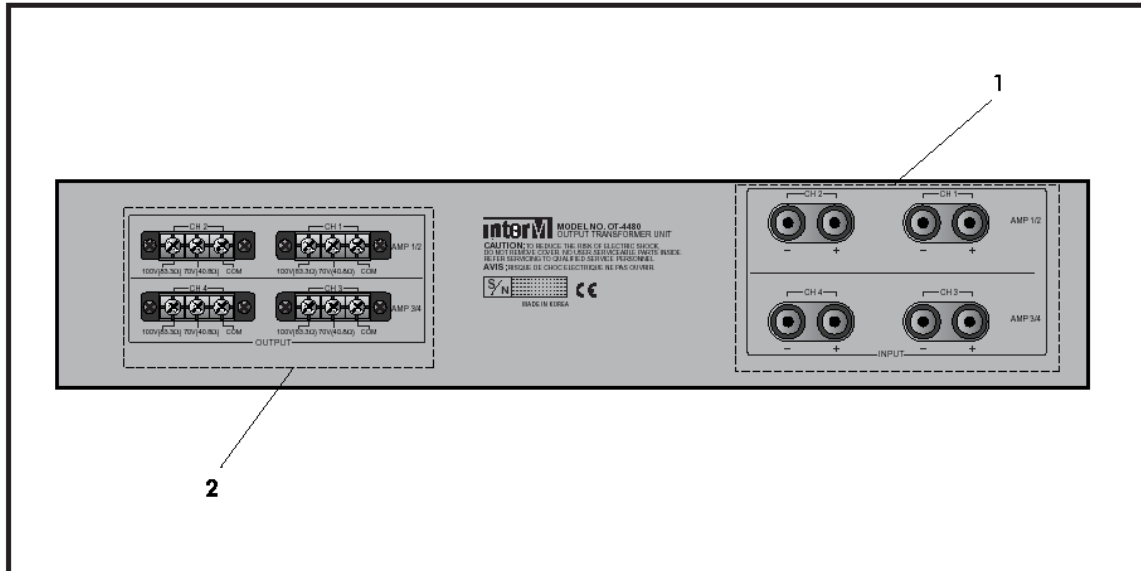
Flexible Operation

- Four independent channels allow for four mono or two stereo zones.

Expandable and Adaptable

- Line Out expansion port for additional OT-4240/OT-4480/OT-4960 units.

Rear Panel Controls



1. Amp Input Terminals

These terminals are connected to the output of a low-impedance amplifier like the Inter-M QD-4240 (4Ω/60W), QD-4480 (4Ω/120W) or QD-4960 (4Ω/240W).

2. Speaker Output Terminals

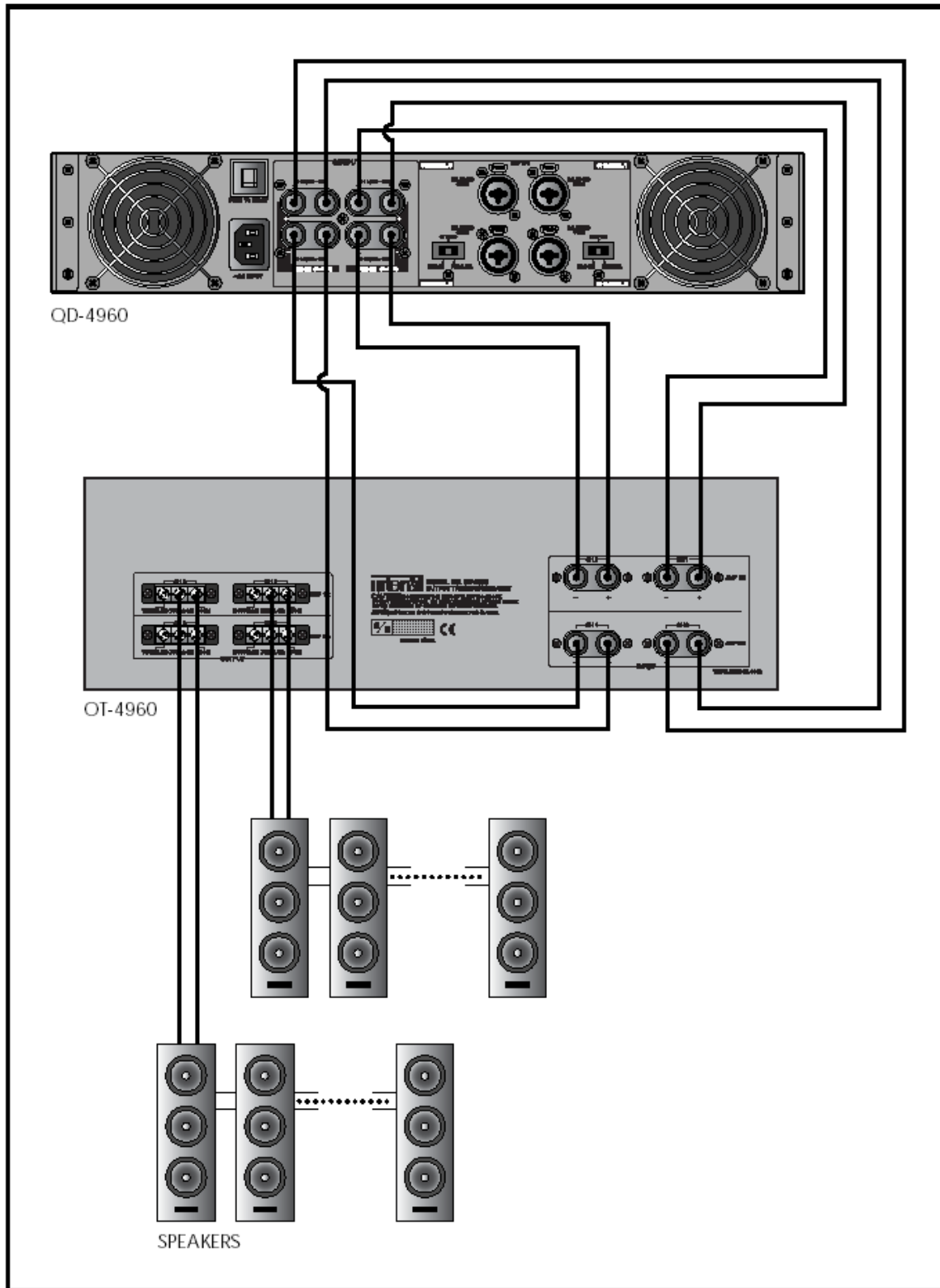
These output terminals may be connected with high-impedance distributed speaker systems.

For 120VAC operation, the 70V output terminal is recommended. For 230VAC operation, the 100V or 70V terminals may be used.

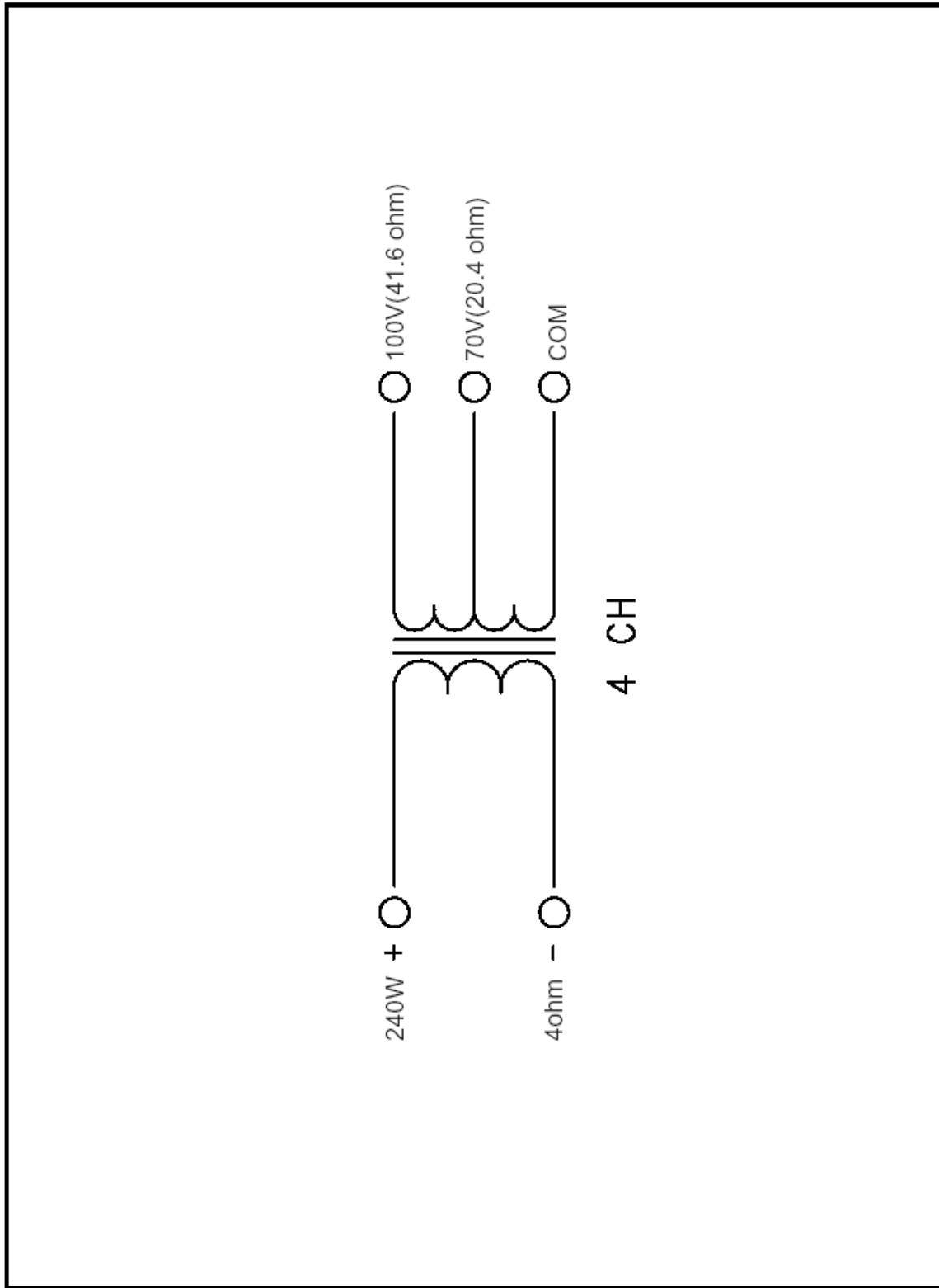
The chart below shows recommended impedances.

	100V	70V	25V
OT-4240 / 120VAC		81.7Ω	10.4Ω
OT-4240 / 230VAC	166.7Ω	81.7Ω	
OT-4480 / 120VAC		40.8Ω	5.2Ω
OT-4480 / 230VAC	83.8Ω	40.8Ω	
OT-4960 / 120VAC		20.4Ω	
OT-4960 / 230VAC	41.6Ω	20.4Ω	

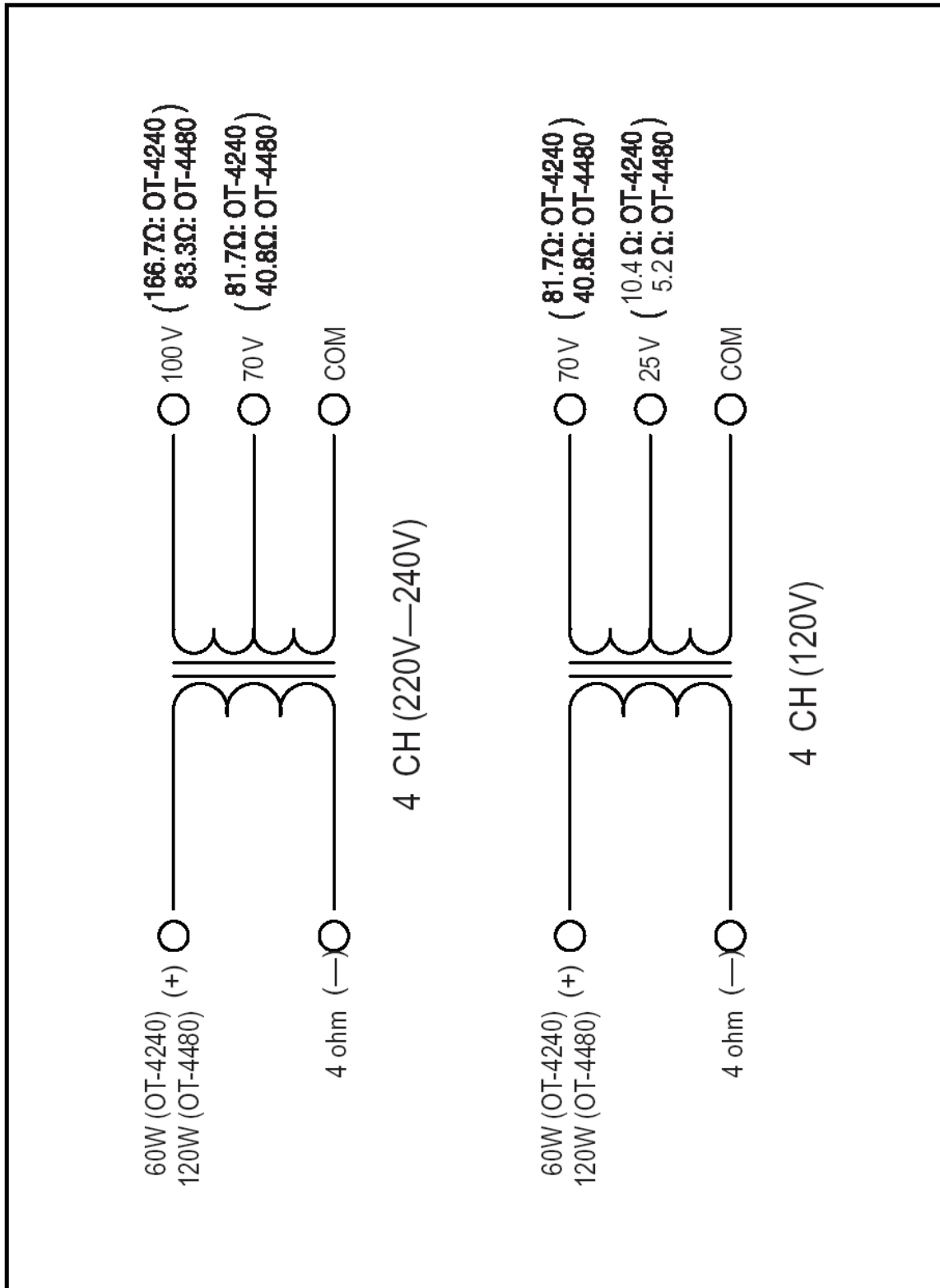
Connections



Block Diagram (OT-4960)



Block Diagram (OT-4240 / OT-4480)



Specifications

ELECTRICAL

Rated Output

OT-4240	25V(10.4Ω), 70V(81.7Ω), 100V(166.7Ω)
OT-4480	25V(5.2Ω), 70V(40.8Ω), 100V(83.3Ω)
OT-4960	70V(20.4Ω), 100V(41.6Ω)

Input

OT-4240	4Ω/60W
OT-4480	4Ω/120W
OT-4960	4Ω/240W

Frequency Response

20Hz-20kHz

GENERAL

Weight

OT-4240	11.5kg / 25.3 lb.
OT-4480	14.5kg / 32 lb.
OT-4960	21.5kg / 47.4 lb.

Dimensions

OT-4240/OT-4480	482(W) x 88(H) x 310(D) mm 19(W) x 3.5(H) x 12.2 (D) in
OT-4960	482(W) x 132(H) x 310(D) mm 19(W) x 5.2(H) x 11(D) in

Specifications and design subject to change without notice for improvements.



Inter-M, Ltd. (Korea) began operations in 1983.

Since then, Inter-M has grown to become one of the largest manufacturers of professional audio and commercial sound electronics equipment in the world.

Inter-M has gained worldwide recognition for its own branded products, as well as private label manufacturing of electronics sold under other names (OEM).

The company is no longer just a Korean company, but rather a global company that is truly international in scope, with factories and offices in Korea and China, and sales and marketing operations located in Japan, Europe, and the U.S.A.

With more than 850 employees around the globe, Inter-M is well-poised for further growth and expansion.

INTER-M AMERICAS, INC.

1 EAST BEACON LIGHT LANE, CHESTER, PA, USA 19013-4409

TEL: (610) 874-8870, FAX: (610) 874-8890

Home Page:<http://www.inter-m.net>, E-mail: service@inter-m.net

INTER-M Corporation

SEOUL OFFICE: 653-5 BANGHAK-DONG, DOBONG-KU, SEOUL, KOREA

TEL: 82-2-2289-8140~8, FAX: 82-2-2289-8149

Home Page:<http://www.inter-m.com>, E-mail: export@inter-m.com