

FS Series is designed for high quality, professional sound reproduction which is ideal for BGM playback and paging. With the high quality transformer can minimize losses during long distance transfer
Using the mounting bracket with safety hook can be installed to the correct speaker orientation.



FEATURES

- Full-range (30N, 60N, 100N) or 2Way (52N) speaker system
- Use for high impedance and low impedance (Slide Switch)
- Screw terminals for easy installation
- High quality transformer for long-distance installation
- Optimized port design by high-strength ABS injection enclosure
- High-density sound-absorbing material for the removal of internal resonance
- The high-strength powder coated grill and sound filters
- Black/White Version
- Safety hook considering the user's safety
- High strength articulated wall-mounting bracket (Optional Bracket, FSB-3)
- Horizontal and vertical adjustments and mechanism design for a rigid fixing

SPECIFICATION

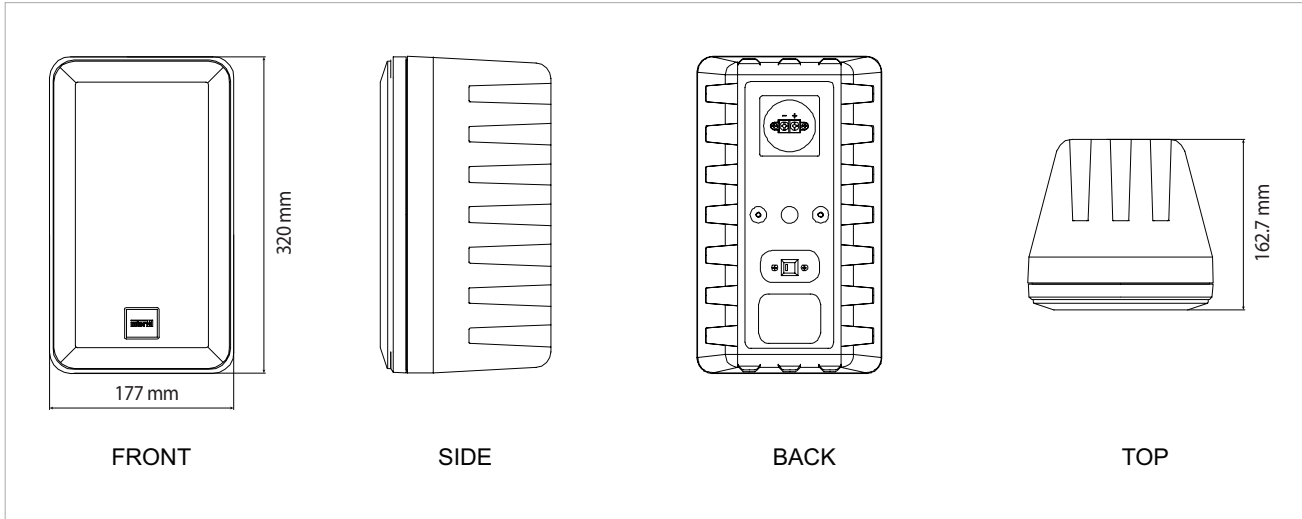
Model	FS-30N	FS-52N	FS-60N	FS-100N
Type	5.25" Full-range Wall Mount Speaker	5.25" 2Way Wall Mount Speaker	5.25" Full-range Wall Mount Speaker	Dual 5.25" Full-range Wall Mount Speaker
Unit	5"	5" WF, 1" Dome TW	5"	5"
Power Handling (AES)	30W	50W	60W	100W
Input Power	100V	30W	50W	60W
	70V	-		
Impedance	100V	330Ω	200Ω	167Ω
	70V	-		
	LOW	8Ω		
Power Selection	Slide Switch			
Frequency Response (-10dB)	100Hz ~ 20kHz			
Sensitivity (1W/1m 300,400,500,600Hz avg.)	90dB	86dB	90dB	90dB
Maximum SPL	105dB	103dB	107dB	110dB
Nominal Dispersion (HxV)	120° x 90°	-		
Input Connector	2P Screw Terminal			
Enclosure Material	ABS GF 20% (HB)			
Enclosure Color	Black/White			
Grill Material	Metal Grill			
Grill Color	Black/White			
Weights (Net)	2.77kg	3.23kg	3kg	3.39kg
Dimension (Net, WxHxD, mm)	177 x 302 x 162.7			
Weather Resistant	-			
Flame Resistant	-			
Certification	-			
Included Accessories	Knuckle Bracket Safety Wire			

FS-30N/52N/60N/100N

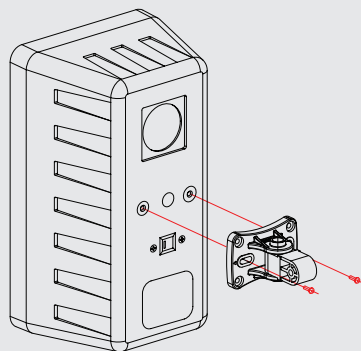
Wall
Speaker

TECHNICAL DATA

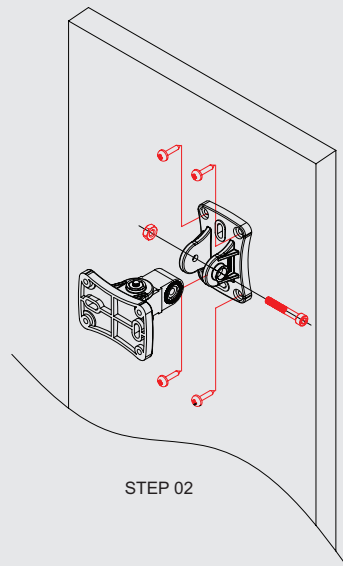
DIMENSION



SPEAKER INSTALLATION GUIDE



STEP 01



STEP 02