

## BATTERY CHARGER



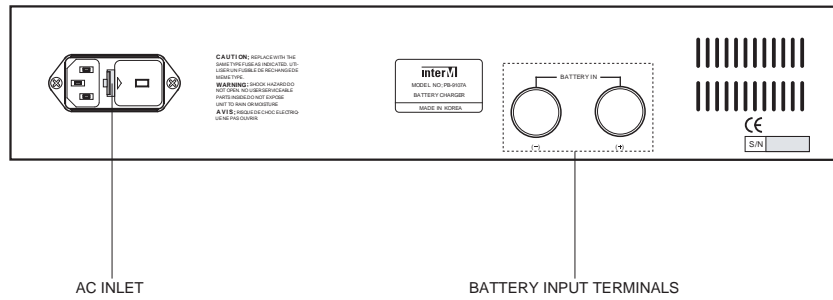
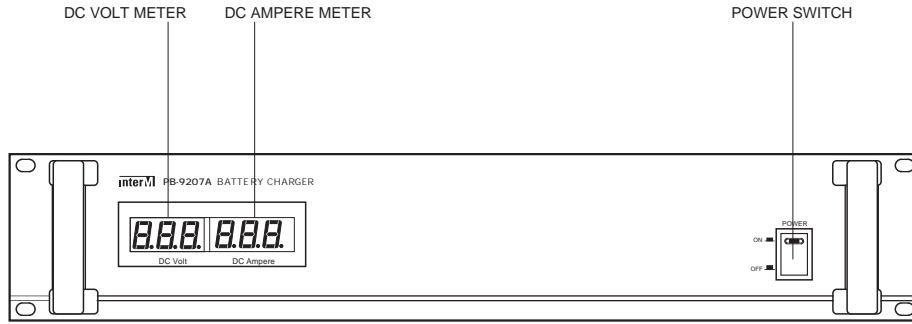
### FEATURES

- **AUTOMATIC CHARGING**  
You can operate easily and protect battery from over-charging because, it begin to charge the battery with 3 Ampere and then reduce the current to rated voltage.
- **EASY CHECKING**  
You can check easily the state of charging by incorporated digital volt meter and digital ampere meter.

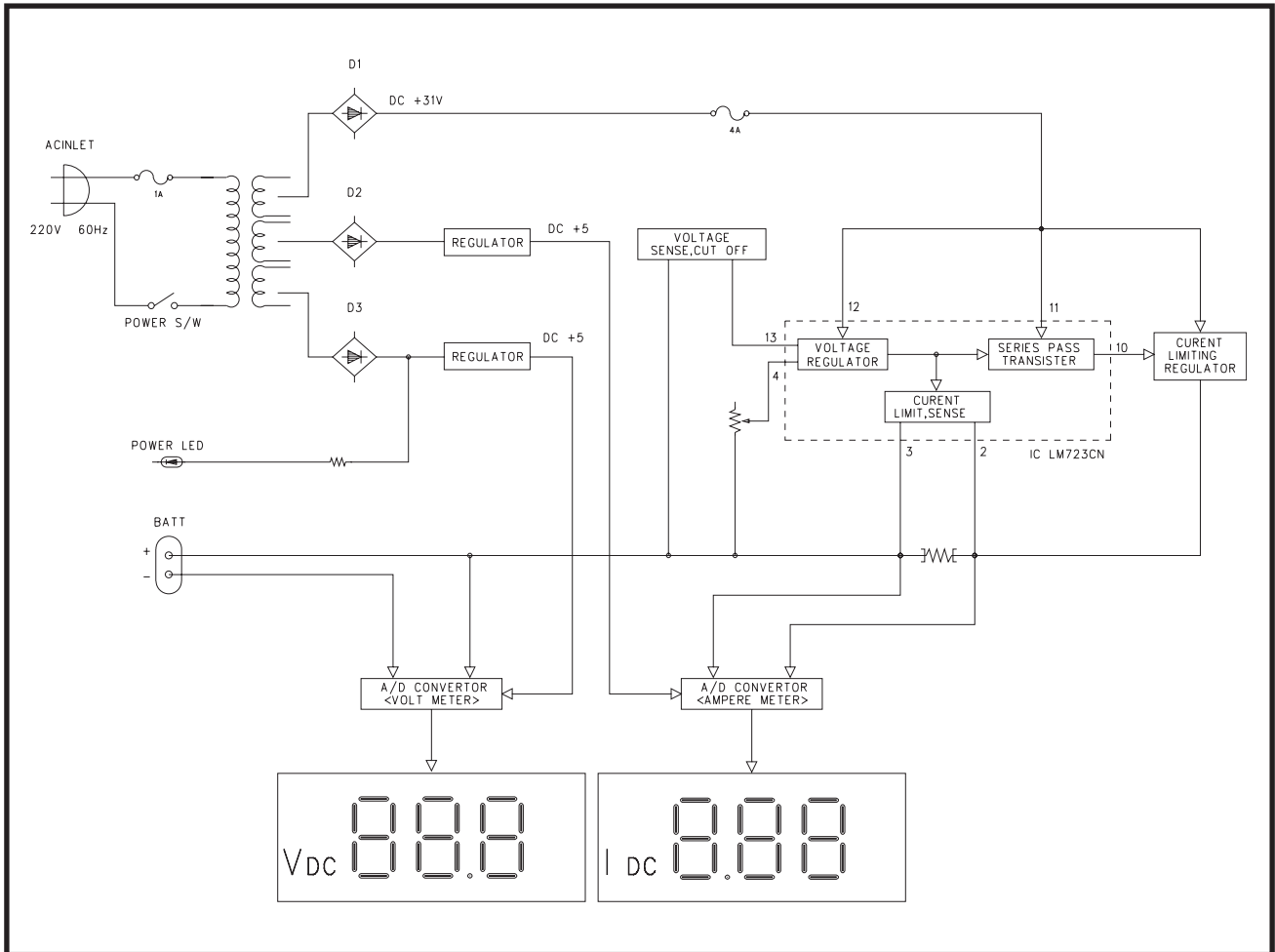
### SPECIFICATIONS

- **ELECTRICAL** \*0dB=0.775Vrms
  - Battery, Requirement.....DC 24V
  - Starting Current .....DC 3A
  - Charge Finishing Voltage.....DC 27.3V MAX
- **GENERAL**
  - Power Source .....AC 120V/230V/240V, 50/60Hz
  - Power Consumption .....120VA
  - Weight .....6.2kg
  - Dimensions.....482(W)×88(H)×280(D)mm

# PB-9207A



## BLOCK DIAGRAM



**interM**

OFFICE : 653-5 BANGHAK-DONG, DOBONG-KU, SEOUL, KOREA TEL : 82-2-2289-8140~8, FAX : 82-2-2289-8149

Home page : <http://www.inter-m.com>

E-mail : [export@inter-m.com](mailto:export@inter-m.com)

9047904800 A