

MVF-2132



MULTI-VOICE FILE

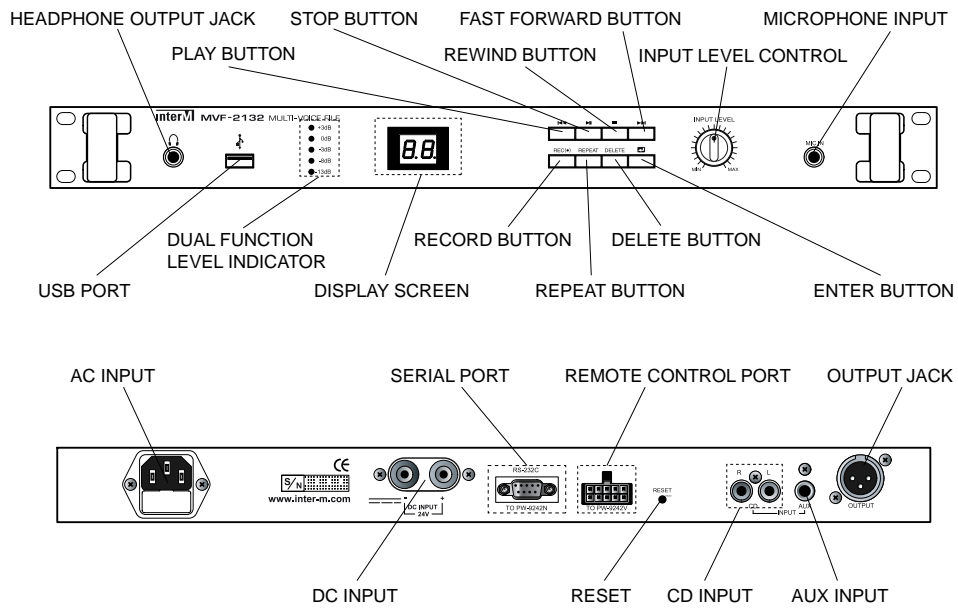


FEATURES

- MP3 128Kbps (CD digital sound quality).
- 32Mbyte internal memory for up to 30 minutes playback.
- 256Mbyte memory capability via external memory expansion devices.
- USB V1.1 compatible for MP3 file transfers with computers.
- Comprehensive front panel alphanumeric status indicators.
- Inputs provided for connection with a microphone, compact disc, or other line-level auxiliary device.

SPECIFICATIONS

- ELECTRICAL * 0dB=0.775Vrms
 - Communication Method.....RS-232C
 - Rated Output (1kHz)
Output (Balanced)1V/2k Ω
 - Head Phone Output (1kHz)318mV/47k
 - Input Sensitivity/Impedance
 - MIC INPUT (Balanced)3mV/47k Ω
 - AUX INPUT318mV/47k Ω
 - CD INPUT.....1V/47k Ω
 - Frequency Response (Output at rated ± 3 dB)
 - AUX INPUT.....80Hz-15kHz
 - CD INPUT.....80Hz-15kHz
 - Residual Noise (20kHz LPF)1mV/2k Ω
- GENERAL
 - Power Source100-120VAC or 220-240VAC; 50/60Hz
(Supplied AC mains transformer depends on country requirements)
 - Power Consumption.....12W
 - Weight.....3.5kg/7.7lb
 - Dimensions482(W)x44(H)x280(D)mm
19(W)x1.75(H)x11(D)in



BLOCK DIAGRAM

