

SERVICE

MANUAL

4 P G M A U D I O

MIXER

RMX-1426

interM

ELECTRICAL PARTS LIST (RMX-1426)

Reference	ITEM NO	Description	Value	Qty
-----------	---------	-------------	-------	-----

MONO INPUT B'D (4003490100)

C134-137	3509103530-T	CAP CE F 0.01UF 50V Z	0.01	4
C138	3539103521-A	CAP CE YF 10000PF 25V Z AXIAL	10000P	1
C106-107 C112-113 C118 C129	3509101231-A	CAP CE B 100PF 50V K AXIAL	100P	6
C114 C116	3509221231-A	CAP CE B 220PF 50V K AXIAL	220P	2
C125	3529220311-A	CAP CE SL 22PF 50V J AXIAL	22P	1
C104-105	3509271231-A	CAP CE B 270PF 50V K AXIAL	270P	2
C117 C119 C124 C127 C130	3529470311-A	CAP CE SL 47PF 50V J AXIAL	47P	5
AN102	4355796901	CONNECTOR ASS'Y 6P	6P 6P	1
CON101	4428592820	WAFER BOX 20P TPHAB03-1419-20A	WAFER BOX 20P	1
D101-103	2058304100	DIODE IN4148M	1N 4148	3
C115	3409210221-T	CAP AF RSG 1000UF 6.3V 10 P	1000/6.3	1
C133	3409222971-T	CAP AF RSG 2.2UF 50V 5 P	2.2/50	1
C110-111 C120 C126 C128 C131	3409222071-T	CAP AF RSG 22UF 50V 5 P	22/50	6
C101-103	3409247081-T	CAP AF SG 47UF 63V 8 P	47/63	3
VR101	3228072610	VR 09HBF25 RD203-20KRD	20KRD	1
LD101	2300030105	LED LTL-1CHE-021A LITEON	AMBER(SLR34URF)	1
C123	3609102120-T	CAP MA 0.001UF 100V	0.001M	1
C121-122	3609393120-T	CAP MA 0.039UF 100V J	0.039M	2
C132	3609473120-T	CAP MA 0.047UF 100V	0.047M	1
IC101-102	2118010432	IC NJM2068DD JRC	NJM 2068DD	2
SW101	4628992410	SW PUSH SPUN19X1M011	SPUN19X1M011	1
SW102	4628986110	SW PUSH SPUN60X1C021	SPUN60X1C021	1
R157	3009182973	RES CF 1.8K 1/5W J N	1.8K	1
R124 R133 R137	3009101973	RES CF 100 1/5W J N	100	3
R109-110 R113-114	3009100973	RES CF 10 1/5W J N	10	4
R149-150	3089100275	RES NFR 10 1/4W J R PHILKO	FR 10	2
R125 R127 R131-132 R135 R148	3009103973	RES CF 10K 1/5W J N	10K	6
R103-104 R152	3009153973	RES CF 15K 1/5W J N	15K	3
R156	3009184973	RES CF 180K 1/5W J N	180K	1
R138-147	3009183973	RES CF 18K 1/5W J N	18K	10
R155	3009105973	RES CF 1M 1/5W J N	1M	1
R117-118	3003220953	RES CF 2.2K 1/5W F N	2.2K 1%	2
R136	3009223973	RES CF 22K 1/5W J N	22K	1
R122-123	3002270953	RES CF 27K 1/5W FN	27K 1%	2
R154	3009202973	RES CF 2K 1/5W J N	2K	1
R126	3009333973	RES CF 33K 1/5W J N	33K	1
R128	3009472973	RES CF 4.7K 1/5W J N	4.7K	1
R121	3009430973	RES CF 43 1/5W J N	43	1
R107-108	3009471973	RES CF 470 1/5W J N	470	2
R158-159	3009474973	RES CF 470K 1/5W J N	470K	2

R153	3089470275	RES NFR 47 1/4W JR PHILKO	FR 47	1
R105-106 R111-112 R130 R134	3009473973	RES CF 47K 1/5W J N	47K	6
R129	3009562973	RES CF 5.6K 1/5W J N	5.6K	1
R101-102 R160	3009682973	RES CF 6.8K 1/5W J N	6.8K	3
R115-116	3009681973	RES CF 680 1/5W J N	680	2
R119-120	3003820953	RES CF 8.2K 1/5W FN	8.2K 1%	2
R151 (CH1-4)	3009393973	RES CF 39K 1/5W J N	39K	4
R151 (CH5-6)	3009563973	RES CF 56K 1/5W J N	56K	2
Q105	2008613000-T	TR NPN 2SD1111 (SANYO,NEC)	2SD 1111	1
Q102-103	2008606108-T	KTC3200-BL-AT	C3200BL	2
Q101 Q104	2008206106-T	KTA2400-GR-AT	KTA 2400G	2
VR102-103	3228072510	VR 09HBF25 B503C-50KIB C.C	B 50K	2
VR104 VR107	3228072410	VR 09HBF25 A203-20KA	20KA	2
VR105	3238081810	VR RA6040-30-15D1-A14-008	10KA	1
VR106	3238088510	VR EVJ CC1 F02 705 20KAC*2	20KA*2	1

MONO JACK B'D (4003490110)

JK103	4438097310	JACK PHONE 4P	JACK BOARD	1
JK102	4438097310	JACK PHONE 4P	JACK BOARD	1
JK101	4438193710	XLR JACK(F) 3P(E303A0070N)	XLR JACK	1
BKT	6505954910	BRACKET JACK	BKT	2

STEREO INPUT B'D (4003490000)

C208-209 C219-220 C227-228 C241-242 C249-250	3509103530-T	CAP CE F 0.01UF 50V Z	0.01/50	10
C253	3539103521-A	CAP CE YF 10000PF 25V Z AXIAL	10000P	1
C206 C217-218	3509101231-A	CAP CE B 100PF 50V K AXIAL	100P	3
C207	3529100311-A	CAP CE SL 10PF 50V J AXIAL	10P	1
C205 C237-238	3529220211-A	CAP CE CH 22PF 50V J AXIAL	22P	3
C213-216	3509271231-A	CAP CE B 270PF 50V K AXIAL	270P	4
C225-226 C239-240 C247-248	3529470311-A	CAP CE SL 47PF 50V J AXIAL	47P	6
AN202	4355796801	CONNECTOR ASS'Y 5P	5P 5P	1
CON201	4428592820	WAFER BOX 20P TPHAB03-1419-20A	20P	1
D201-202	2058304100	DIODE IN4148M	1N 4148	2
C255	3409222971-T	CAP AF RSG 2.2UF 50V 5 P	2.2/50	1
C211-212 C221-224 C229-230 C243-246 C251-252	3409222071-T	CAP AF RSG 22UF 50V 5 P	22/50	14
C210	3409247071-T	CAP AF RSG 47UF 50V 6 P	47/50	1
C201-203	3409247081-T	CAP AF SG 47UF 63V 8 P	47/63	3
LD201	2300030105	LED LTL-1CHE-021A LITEON	21A	1
C235-236	3609102120-T	CAP MA 0.001UF 100V	0.001M	2
C231-234	3609393120-T	CAP MA 0.039UF 100V J	0.039M	4
C254	3609473120-T	CAP MA 0.047UF 100V	0.047M	1

IC201 IC203	2168220989	IC NJM 2068L JRC	NJM 2068L	2
IC202 IC205	2118010432	IC NJM2068DD JRC	NJM 2068DD	2
IC204	2168220991	IC NJM 4558L JRC	NJM 4558L	1
SW202	4628982410	SW PUSH SPUN60X1C031	6KEY	1
SW201	4628992410	SW PUSH SPUN19X1M011	SPUN19X1M011	1
R263	3009182973	RES CF 1.8K 1/5W J N	1.8K	1
R225-226 R237-238	3009101973	RES CF 100 1/5W J N	100	4
R203	3009104973	RES CF 100K 1/5W J N	100K	1
R258	3009100973	RES CF 10 1/5W J N	10	1
R265-266	3089100275	RES NFR 10 1/4W J R PHILKO	FR 10	2
R213-216 R227-228 R231-232 R241-242 R257	3009103973	RES CF 10K 1/5W J N	10K	11
R262	3009184973	RES CF 180K 1/5W J N	180K	1
R245-250 R255-256	3009183973	RES CF 18K 1/5W J N	18K	8
R211-212 R217-218	3009102973	RES CF 1K 1/5W J N	1K	4
R261	3009105973	RES CF 1M 1/5W J N	1M	1
R204-205	3009222973	RES CF 2.2K 1/5W J N	2.2K	2
R243-244	3009223973	RES CF 22K 1/5W J N	22K	2
R219-220 R259-260	3009202973	RES CF 2K 1/5W J N	2K	4
R229-230	3009333973	RES CF 33K 1/5W J N	33K	2
R251-254	3009363973	RES CF 36K 1/5W J N	36K	4
R223-224	3009391973	RES CF 390 1/5W J N	390	2
R233-234	3009472973	RES CF 4.7K 1/5W J N	4.7K	2
R264	3089470275	RES NFR 47 1/4W JR PHILKO	FR 47	1
R209-210 R221-222 R239-240	3009473973	RES CF 47K 1/5W J N	47K	6
R235-236	3009562973	RES CF 5.6K 1/5W J N	5.6K	2
R201-202	3009682973	RES CF 6.8K 1/5W J N	6.8K	2
R206-207	3009683973	RES CF 68K 1/5W J N	68K	2
Q201	2008613000-T	TR NPN 2SD1111 (SANYO,NEC)	2SD 1111	1
VR201	3238087510	VR EVJC50F02 D24 20KD*2	20KD*2	1
VR203-204	3228072110	VR 12HBF25B503C-50KB*2C.C	50KB*2	2
VR205	3238088510	VR EVJ CC1 F02 705 20KAC*2	20KAC*2	1
VR206-207	3228072010	VR 12HBF25A203-20KA*2	20KA*2	2
CN203	4428594906	LA5268/LAB0640/2.5MM-06P	TO INPUT FADER B'D	1
SW BKT	6505940710	PCB BKT RMX-1426	SW BKT	1
JACK BKT	6505954910	BRACKET JACK	JACK BKT	1

STEREO JACK B'D (4003490010)

AN200	4355793309	CON ASSY 3P SHIELD 180(4 1)	3P	1
	4355792410	CON ASSY 2P SHIELD 210(4 3)	2P	3
JK203	4438097310	JACK PHONE 4P	JACK BOARD	1
JK202	4438195310	RCA JACK 2P	RCA JACK	1
JK201	4438193710	XLR JACK(F) 3P(E303A0070N)	XLR JACK	1
C200	3509101231-A	CAP CE B 100PF 50V K AXIAL	100P	1
R200	3009473973	RES CF 47K 1/5W J N	47K	1

STEREO INPUT FADER B'D (4003489900)

VR2021-2024	3238081310	VR SLIDE 10KA*2 ALPHA	10KA	4
AN2031-2034	4355799402	CON ASSY 6P FLAT	6P	4

STEREO OUTPUT FADER B'D (4003489910)

VR703	3238081310	VR SLIDE 10KA*2 ALPHA	10KA	1
AN704	4355792701	CON ASSY 5P ANGLE	5P	1

PGM1 OUTPUT B'D (4003489800)

C304-305 C311-312 C315-316 C329-330	3509103530-T	CAP CE F 0.01UF 50V Z	0.01/50	8
C320	3539103521-A	CAP CE YF 10000PF 25V Z AXIAL	10000P	1
C310 C321-322	3509101231-A	CAP CE B 100PF 50V K AXIAL	100P	3
C306	3529220211-A	CAP CE CH 22PF 50V J AXIAL	22P	1
C302	3509271231-A	CAP CE B 270PF 50V K AXIAL	270P	1
C314 C317	3529330311-A	CAP CE SL 33PF 50V J AXIAL	33P	2
C303 C327-328	3529470311-A	CAP CE SL 47PF 50V J AXIAL	47P	3
CN302	4428592810	WAFER BOX 10P TPHAB03-1419-10A	WAFER BOX 10P	1
CON301	4428592820	WAFER BOX 20P TPHAB03-1419-20A	WAFER BOX 20P	1
CN201	4428594902	LA5268/LAB0640/2.5MM-02P	5268-02A	1
CN202	4428594903	LA5268/LAB0640/2.5MM-03P	5268-03A	1
CN1006	4428594905	LA5268/LAB0640/2.5MM-05P	5268-05A	1
CN801	4428594906	CON WAFER A2505WR2-06P	5268-06A	1
C308-309 C313 C323-326 C331-333	3409222071-T	CAP AF RSG 22UF 50V 5 P	22/50	10
C301 C318-319	3409222141-T	CAP AF RSG 220UF 25V J 8 P	220/25	3
C307	3409247071-T	CAP AF RSG 47UF 50V 6 P	47/50	1
IC301 IC304	2168220989	IC NJM 2068L JRC	NJM 2068L	2
IC302	2168220991	IC NJM 4558L JRC	NJM 4558L	1
IC303	2168220987	IC NJM 5532L JRC	NJM 5532L	1
SW301	4628986110	SW PUSH SPUN60X1C021	SPUN60X1C021	1
R321-322	3009101973	RES CF 100 1/5W J N	100	2
R309-310 R317	3002100953	RES CF 10K 1/5W F N	10K 1%	3
R302-303 R306	3009103973	RES CF 10K 1/5W J N	10K	3
R316	3002110953	RES CF 11K 1/5W FN	11K 1%	1
R311 R315	3002180953	RES CF 18K 1/5W FN	18K 1%	2
R329-334	3009183973	RES CF 18K 1/5W J N	18K	6
R313-314	3002200953	RES CF 20K 1/5W F N	20K 1%	2
R307	3009223973	RES CF 22K 1/5W J N	22K	1
R301	3009243973	RES CF 24K 1/5W JN CDC-9300	24K	1
R325-326	3009333973	RES CF 33K 1/5W J N	33K	2
R304-305 R308 R319-320 R323-324	3009473973	RES CF 47K 1/5W J N	47K	7
R312 R318	3009750973	RES CF 75 1/5W JN	75	2
R327-328	3009912973	RES CF 9.1K 1/5W JN	9.1K	2
VR301	3238081810	VR RA6040-30-15D1-A14-008	10KA	1
VR302	3228072010	VR 12HBF25A203-20KA*2	20KA	1
VR303	3238088510	VR EVJ CC1 F02 705 20KAC*2	20KAC	1

PGM4 OUTPUT B'D (4003489810)

C604-605 C611-612	3509103530-T	CAP CE F 0.01UF 50V Z	0.01/50	8
-------------------	--------------	-----------------------	---------	---

C615-616 C631-632				
C620	3539103521-A	CAP CE YF 10000PF 25V Z AXIAL	10000P	1
C610	3509101231-A	CAP CE B 100PF 50V K AXIAL	100P	1
C627-628	3509221231-A	CAP CE B 220PF 50V K AXIAL	220P	2
C606	3529220211-A	CAP CE CH 22PF 50V J AXIAL	22P	1
C602	3509271231-A	CAP CE B 270PF 50V K AXIAL	270P	1
C614 C617	3529330311-A	CAP CE SL 33PF 50V J AXIAL	33P	2
C603 C629-630	3529470311-A	CAP CE SL 47PF 50V J AXIAL	47P	3
CN602	4428592810	WAFER BOX 10P TPHAB03-1419-10A	WAFER BOX 10P	1
CON601	4428592820	WAFER BOX 20P TPHAB03-1419-20A	WAFER BOX 20P	1
CN503	4428594903	LA5268/LAB0640/2.5MM-03P	5268-03A	1
CN804	4428594906	LA5268/LAB0640/2.5MM-06P	5268-06A	1
CN901	4428594907	LA5268/LAB0640/2.5MM-07P	5268-07A	1
C608-609 C613 C635	3409222071-T	CAP AF RSG 22UF 50V 5 P	22/50	4
C601 C618-619	3409222141-T	CAP AF RSG 220UF 25V J 8 P	220/25	3
C607 C633-634	3409247071-T	CAP AF RSG 47UF 50V 6 P	47/50	3
IC601	2118010432	IC NJM2068DD JRC	NJM 2068DD	1
IC605	2168220989	IC NJM 2068L JRC	NJM 2068L	1
IC602	2118010590	IC NJM4558D JRC	NJM 4558D	1
IC603	2118010332	IC NJM 5532DD JRC	NJM 5532DD	1
SW602	4628990510	SW PUSH SPPJ222EP031	JPS2254AS	1
SW601	4628982210	SW PUSH SPUN80X1C011	SPUN80X1T	1
R609-610 R617	3002100953	RES CF 10K 1/5W F N	10K 1%	3
R6 R8 R602-603 R606 R631-644	3009103973	RES CF 10K 1/5W J N	10K	19
R616	3002110953	RES CF 11K 1/5W FN	11K 1%	1
R611 R615	3002180953	RES CF 18K 1/5W FN	18K 1%	2
R613-614	3002200953	RES CF 20K 1/5W F N	20K 1%	2
R645-646	3009203973	RES CF 20K 1/5W J N	20K	2
R607	3009223973	RES CF 22K 1/5W J N	22K	1
R601	3009243973	RES CF 24K 1/5W JN CDC-9300	24K	1
R604-605 R608	3009473973	RES CF 47K 1/5W J N	47K	3
R612 R618	3009750973	RES CF 75 1/5W JN	75	2
VR601	3238081810	VR RA6040-30-15D1-A14-008	10KA	1
BKT	6505946710	PCB BKT PAC-60/120	BKT	1

PGM2 OUTPUT B'D (4003489700)

C404-405 C411-412 C415-416 C423-424 C435-436	3509103530-T	CAP CE F 0.01UF 50V Z	0.01	10
C441	3539103521-A	CAP CE YF 10000PF 25V Z AXIAL	10000P	1
C410	3509101231-A	CAP CE B 100PF 50V K AXIAL	100P	1
C406	3529220211-A	CAP CE CH 22PF 50V J AXIAL	22P	1
C402 C421 C431-432	3509271231-A	CAP CE B 270PF 50V K AXIAL	270P	4
C414 C417	3529330311-A	CAP CE SL 33PF 50V J AXIAL	33P	2
C403 C422 C427 C433-434	3529470311-A	CAP CE SL 47PF 50V J AXIAL	47P	5
CON402	4428592810	WAFER BOX 10P TPHAB03-1419-10A	WAFER BOX 10P	1
CON401	4428592820	WAFER BOX 20P TPHAB03-1419-20A	WAFER BOX 20P	1

CN203	4428594902	LA5268/LAB0640/2.5MM-02P	5268-02A	1
AN403	4355793309	CON ASS'Y 3P SHIELD 180	5268-03A	1
CN1005	4428594903	LA5268/LAB0640/2.5MM-03P	5268-03A	1
CN802	4428594906	LA5268/LAB0640/2.5MM-06P	5268-06A	1
D401-403	2058100996	DIODE RECTIFIER LT1N4006(4007)	1N 4006	3
C439	3409210071-T	CAP AF RSG 10UF 50V 5 P	10/50	1
C408-409 C413 C425-426 C440 C442	3409222071-T	CAP AF RSG 22UF 50V 5 P	22/50	7
C401 C418-420 C428-430	3409222141-T	CAP AF RSG 220UF 25V J 8 P	220/25	7
C407 C437-438	3409247071-T	CAP AF RSG 47UF 50V 6 P	47/50	3
IC401 IC405	2168220989	IC NJM 2068L JRC	NJM 2068L	2
IC402	2118010590	IC NJM4558D JRC	NJM 4558D	1
IC403	2118010332	IC NJM 5532DD JRC	NJM 5532DD	1
IC404	2168220987	IC NJM 5532L JRC	NJM 5532L	1
SW401	4628992410	SW PUSH SPUN19X1M011	SPUN19X1M011	1
R409-410 R417	3002100953	RES CF 10K 1/5W F N	10K 1%	3
R402-403 R406 R428	3009103973	RES CF 10K 1/5W J N	10K	4
R416	3002110953	RES CF 11K 1/5W FN	11K 1%	1
R411 R415	3002180953	RES CF 18K 1/5W FN	18K 1%	2
R420 R423-424	3009183973	RES CF 18K 1/5W J N	18K	3
R427	3009102973	RES CF 1K 1/5W J N	1K	1
R429	3009272973	RES CF 2.7K 1/5W J N	2.7K	1
R413-414	3002200953	RES CF 20K 1/5W F N	20K 1%	2
R407	3009223973	RES CF 22K 1/5W J N	22K	1
R401	3009243973	RES CF 24K 1/5W JN CDC-9300	24K	1
R419	3009363973	RES CF 36K 1/5W J N	36K	1
R404-405 R408 R425-426	3009473973	RES CF 47K 1/5W J N	47K	5
R421	3009623973	RES CF 62K 1/5W J N	62K	1
R430	3009752973	RES CF 7.5K 1/5W J N	7.5K	1
R412 R418 R422	3009750973	RES CF 75 1/5W JN	75	3
RLY401	5528999800	RELAY 876A N-2C-S 12VDC	RZ-12	1
Q401	2008606104-T	TR NPN KTC3198-Y-AT TO-92	KTC 3198Y	1
VR401	3238081810	VR RA6040-30-15D1-A14-008	10KA	1
VR402	3228072410	VR 09HBF25 A203-20KA	20KA	1
D404	2058503112	DIODE ZENER 12BH	12BH	1

PGM3 OUTPUT B'D (4003489710)

C504-505 C511-512 C515-516 C523-524 C533-534	3509103530-T	CAP CE F 0.01UF 50V Z	0.01	10
C537	3539103521-A	CAP CE YF 10000PF 25V Z AXIAL	10000P	1
C510 C531-532	3509101231-A	CAP CE B 100PF 50V K AXIAL	100P	3
C529-530	3509221231-A	CAP CE B 220PF 50V K AXIAL	220P	2
C506	3529220211-A	CAP CE CH 22PF 50V J AXIAL	22P	1
C502 C521	3509271231-A	CAP CE B 270PF 50V K AXIAL	270P	2
C514 C517	3529330311-A	CAP CE SL 33PF 50V J AXIAL	33P	2
C503 C522 C527	3529470311-A	CAP CE SL 47PF 50V J AXIAL	47P	3

CON502	4428592810	WAFER BOX 10P TPHAB03-1419-10A	WAFER BOX 10P	1
CON501	4428592820	WAFER BOX 20P TPHAB03-1419-20A	WAFER BOX 20P	1
CN204	4428594902	LA5268/LAB0640/2.5MM-02P	5268-02A	1
AN503	4355793305	CON ASS'Y 3P SHIELD 120	5268-03A	1
CN703	4428594903	LA5268/LAB0640/2.5MM-03P	5268-3A	1
CN805	4428594904	LA5268/LAB0640/2.5MM-04P	5268-04A	1
CN803	4428594906	LA5268/LAB0640/2.5MM-06P	5268-06A	1
C508-509 C513 C525-526 C538	3409222071-T	CAP AF RSG 22UF 50V 5 P	22/50	6
C501 C518-520 C528 C535-536	3409222141-T	CAP AF RSG 220UF 25V J 8 P	220/25	7
C507	3409247071-T	CAP AF RSG 47UF 50V 6 P	47/50	1
IC501	2168220989	IC NJM 2068L JRC	NJM 2068L	1
IC502	2118010590	IC NJM4558D JRC	NJM 4558D	1
IC503	2118010332	IC NJM 5532DD JRC	NJM 5532DD	1
IC505	2168220987	IC NJM 5532L JRC	NJM 5532L	1
IC504	2168220987	IC NJM 5532L JRC	NJM 5532L	1
SW501	4628992410	SW PUSH SPUN19X1M011	SPUN19X1M011	1
R509-510 R517	3002100953	RES CF 10K 1/5W F N	10K 1%	3
R502-503 R506	3009103973	RES CF 10K 1/5W J N	10K	3
R516	3002110953	RES CF 11K 1/5W FN	11K 1%	1
R511 R515	3002180953	RES CF 18K 1/5W FN	18K 1%	2
R520	3009183973	RES CF 18K 1/5W J N	18K	1
R529	3009272973	RES CF 2.7K 1/5W J N	2.7K	1
R513-514	3002200953	RES CF 20K 1/5W F N	20K 1%	2
R507	3009223973	RES CF 22K 1/5W J N	22K	1
R501	3009243973	RES CF 24K 1/5W JN CDC-9300	24K	1
R523-524	3009202973	RES CF 2K 1/5W J N	2K	2
R519	3009363973	RES CF 36K 1/5W J N	36K	1
R504-505 R508	3009473973	RES CF 47K 1/5W J N	47K	3
R525-526	3009682973	RES CF 6.8K 1/5W J N	6.8K	2
R521	3009623973	RES CF 62K 1/5W J N	62K	1
R530	3009752973	RES CF 7.5K 1/5W J N	7.5K	1
R512 R518 R522 R527-528	3009750973	RES CF 75 1/5W JN	75	5
VR501	3238081810	VR RA6040-30-15D1-A14-008	10KA	1
VR502	3228072410	VR 09HBF25 A203-20KA	20KA	1

STEREO OUTPUT B'D (4003489600)

C721-722 C729-730 C735-738	3509103530-T	CAP CE F 0.01UF 50V Z	0.01/50	8
C713-714	3539104531-A	CAP CE Y 100000PF 50V Z AXIAL	0.1u	2
C763	3539103521-A	CAP CE YF 10000PF 25V Z AXIAL	10000P	1
C705-706 C717-718	3509271231-A	CAP CE B 270PF 50V K AXIAL	270P	4
C733-734 C741-742	3529330311-A	CAP CE SL 33PF 50V J AXIAL	33P	4
C707-708	3529470311-A	CAP CE SL 47PF 50V J AXIAL	47P	2
C719-720 C727-728	3529470311-A	CAP CE SL 47PF 50V J AXIAL	47P	4
CON702	4428592810	WAFER BOX 10P TPHAB03-1419-10A	WAFER BOX 10P	1
CON701	4428592820	WAFER BOX 20P TPHAB03-1419-20A	WAFER BOX 20P	1

AN703	4355793305	CON ASSY 3P SHIELD 120	3P	1
CN403	4428594903	LA5268/LAB0640/2.5MM-03P	3P	1
CN806	4428594906	LA5268/LAB0640/2.5MM-06P	5268-06A	1
C703-704 C723-726 C731-732 C745-746	3409222071-T	CAP AF RSG 22UF 50V 5 P	22/50	10
C711-712 C715-716 C739-740 C743-744	3409222141-T	CAP AF RSG 220UF 25V J 8 P	220/25	8
C709-710	3409247071-T	CAP AF RSG 47UF 50V 6 P	47/50	2
JK701	4438097310	JACK PHONE 4P	JACK BOARD	1
IC702	2118010432	IC NJM2068DD JRC	NJM 2068DD	1
IC701	2168220994	IC NJM 4556AL	NJM 4556L	1
IC703	2118010590	IC NJM4558D JRC	NJM 4558D	1
IC704-705	2168220987	IC NJM 5532L JRC	NJM 5532L	2
GND3	4355891815	CON ASY 1P MX-200	1P	1
SW701	4628992410	SW PUSH SPUN19X1M011	SPUN19X1M011	1
R713-714	3009101973	RES CF 100 1/5W J N	100	2
R707-708	3039101472-T	RES MO 100 1W T	100 1W	2
R705-706	3089100275	RES NFR 10 1/4W J R PHILKO	FR 10	2
R723-726 R737-738	3002100953	RES CF 10K 1/5W F N	10K 1%	6
R735-736	3002110953	RES CF 11K 1/5W FN	11K 1%	2
R721-722 R733-734	3002180953	RES CF 18K 1/5W FN	18K 1%	4
R715-716	3009183973	RES CF 18K 1/5W J N	18K	2
R729-732	3002200953	RES CF 20K 1/5W F N	20K 1%	4
R711-712	3009243973	RES CF 24K 1/5W JN CDC-9300	24K	2
R701-702	3009202973	RES CF 2K 1/5W J N	2K	2
R709-710 R719-720 R741-742	3009473973	RES CF 47K 1/5W J N	47K	6
R703-704	3009682973	RES CF 6.8K 1/5W J N	6.8K	2
R717-718	3009623973	RES CF 62K 1/5W J N	62K	2
R727-728 R739-740	3009750973	RES CF 75 1/5W JN	75	4
VR701	3238088310	VR EVJ C50 F02 A53 5KA*2	5KA	1
CON704	4428594905	LA5268/LAB0640/2.5MM-05P	5P	1

POWER B'D (4003489610)

D1001	2058100976	DIODE BRIDGE KBP202G/KBP203G	KBPC 202G	1
C1001-1002 C1011-1012 C1016	3509103450-T	CAP CE 0.01UF 500V Z	0.01/500	5
C1005-1006 C1009-1010 C1018	3509104530-T	CAP CE F 0.1UF 50V Z	0.1/50	5
AN1005	4355881607	CON ASSY 3P (PS-M350)	CON3P	1
CN1001 CN1004	4428595003	LW5267/LWB0640/2.5MM-03P	3P	2
CN902	4428595004	LW5267/LWB0640/2.5MM-04P	4P	1
AN1006	4355799506	CON ASSY 5P FLAT	CON5P	1
CN1002	4428595005	LW5267/LWB0640/2.5MM-05P	5P	1
D1002-1005 D1009-1010	2058100996	DIODE RECTIFIER LT1N4006(4007)	1N 4006	6
C1013	3408210191	CAP RSA 100UF 100V SNAP 13 P	100/100	1
C1007-1008	3409210141-T	CAP AF RSG 100UF 25V 6 P	100/25	2
C1014	3409222081-T	CAP AF RSG 22UF 63V 6 P	22/63	1

C1017	3408222232	CAP E SG 2200UF 16V 13 P	2200/16	1
C1003-1004	3408222261	CAP RSA 2200UF 35V SNAP 18 P	2200/35	2
C1015	3409247081-T	CAP AF SG 47UF 63V 8 P	47/63	1
F1001-1002	5508112230	FUSE 51S 20MM 1A/250V K/U/C/J	1A	2
F1003-1004	5508110730	FUSE 51S 20MM100MA/250V KUCJ	0.1A	2
IC1001	2168640988	IC 7815 SAMSUNG	7815	1
IC1002	2168640987	IC 7915 SAMSUNG	7915	1
GND1	4355792209	CON ASS'Y GND 190(105)	GND	1
R1002	3039100572-F	RES MO 10 2W J N	10 2W	1
R1005	3039102572-F	RES MO 1K 2W J N	1K 2W	1
R1006	3089479275	RES NFR 4.7 1/4W J R PHILKO	FR 4.7	1
R1003	3009472973	RES CF 4.7K 1/5W J N	4.7K	1
R1004	3009562973	RES CF 5.6K 1/5W J N	5.6K	1
R1001	3039681572-F	RES MO 680 2W J N	680 2W	1
Q1001	2028406113	KTD2058-Y-U	KTD 2058Y	1
D1006-1007	2058502240	DIODE ZENER UZ-24BM(1N5252B)	UZ 24BM	2
FUSE CLIP	4458999110	FUSE CLIP 5*20	FUSE	8
HEAT SINK	7503094110	HEAT SINK RMX-1426	HEAT SINK	1

FUSE B'D (4003489640)

C100	3549103107	CAP DE2F3KH103MA4B	0.01/500	1
T1	4355793001	CON ASS'Y 1P BLK (M)	BLK	1
T2	4355793101	CON ASS'Y 1P WHT(F)	WHT	1
T3-4	4355792803	CON ASS'Y 1P (187T) ANGLE	ANGLE	2
CN100	4428593603	LOCK WAFER 2 LW-1143-03P	LW3P	1
F100	4458999210	FAU-0031.3577 SCHURTER PU-3210	300mA	1
FUSE HOLDER	6505942110	HEAT SINK B.K.T SMA-4000	BKT	1

LED B'D (4003489620)

AN9011	4355793414	CON ASS'Y 7P - 3.4P	CON7P	1
AN902	4355824005	CON ASS'Y 4P	CON4P	1
AN9012	4355793414	CON ASS'Y 7P - 3.4P	CON7P	1
C901-919	3409247973-T	CAP RSE 4.7UF 50V (5*5)MX-200	4.7/50	19
IC901 IC903 IC905 IC907 IC909 IC911	2118030405	KIA6966S	KIA6966S	6
IC904 IC908 IC902 IC910 IC906 IC912	2118040105	KIA6967S	KIA6967S	6
LD901-906 LD911-916 LD921-926 LD931-936 LD941-946 LD951-956 LD963	2300032105	LED LTL-1CHG-021A LITEON	GRE	37
LD910 LD920 LD930 LD940 LD950 LD960-961	2300030105	LED LTL-1CHE-021A LITEON	RED	7
LD907-909 LD917-919 LD927-929 LD937-939 LD947-949 LD957-959 LD962	2300031105	LED LTL-1CHY-021A LITEON	YEL	19
R943 R945	3009182973	RES CF 1.8K 1/5W J N	1.8K	2

R901 R905 R908 R912 R915 R919 R922 R926 R929 R933 R936 R940	3009101973	RES CF 100 1/5W J N	100	12
R902 R909 R916 R923 R930 R937	3009103973	RES CF 10K 1/5W J N	10K	6
R946	3009102973	RES CF 1K 1/5W J N	1K	1
R903 R910 R917 R924 R931 R938	3009203973	RES CF 20K 1/5W J N	20K	6
R944	3009392973	RES CF 3.9K 1/5W J N	3.9K	1
R947	3009472973	RES CF 4.7K 1/5W J N	4.7K	1
R906 R913 R920 R927 R934 R941	3009473973	RES CF 47K 1/5W J N	47K	6
R907 R914 R921 R928 R935 R942	3009563973	RES CF 56K 1/5W J N	56K	6
R904 R911 R918 R925 R932 R939	3009823973	RES CF 82K 1/5W J N	82K	6
Q901	2008606108-T	KTC3200-BL-AT	C3200BL	1
D901	2058502240	DIODE ZENER UZ-24BM(1N5252B)	UZ 24BM	1
LED GUIDE	6505952810	LED GUIDE MX-200	LED GUIDE	6

JACK B'D (400389630)

C801-814	3509101231-A	CAP CE B 100PF 50V K AXIAL	100P	14
AN805	4355792612	CON ASS'Y 4P SHILED 250	CON4P	1
AN801	4355792514	CON ASS'Y 6P SHIELD 300	CON6P	1
AN802-803	4355792517	CON ASS'Y 6P SHIELD 390	CON6P	2
AN804 AN806	4355792519	CON ASS'Y 6P SHIELD 450	CON6P	2
JK809-810	4438192910	PHONE JACK (5P) METAL	PHONE JACK	2
JK811-812	4438192910	PHONE JACK (5P) METAL	PHONE JACK	2
JK801 JK803 JK805 JK807	4438192910	PHONE JACK (5P) METAL	PHONE JACK	4
JK802 JK804 JK806 JK808	4408194310	XLR JACK (M) E503A0150N	XLR JACK	4
GND2	4355792209	CON ASS'Y GND 190(105)	GND	1
R801 R806 R811 R816	3009101973	RES CF 100 1/5W J N	100	4
R802 R807 R812 R817	3009100973	RES CF 10 1/5W J N	10	4
R804-805 R809-810 R814-815 R819-826	3009473973	RES CF 47K 1/5W J N	47K	14
R803 R808 R813 R818	3009561973	RES CF 560 1/5W J N	560	4
JACK BKT	6505952110	BRACKET PHONE JACK B"	JACK BKT	1

PHANTOM S/W B'D (4003489650)

AN1004	4355799706	CON ASS'Y 3P	CON3P	1
SW1001	3238098310	SW SLIDE SS90020-0202-6T-NN	SSB022	1

ASS'Y

SW1	4648099310	POWER SWITCH (H8500VB)	POWER SW	1
CON	4355792000	CON ASS'Y MASS(10P)	10P	1
	4355792100	CON ASS'Y MASS (20P)	20P	1
AC CORD	4308992610	AC CORD ASS'Y DOME-3		
	4308000910	CORD AC DOME 3 CORES		

	4308993010	AC CORD ASS'Y EUROPE 3CORES	R	
	4308994910	AC CORD (EUROPE 3 CORES)	R	
	4308992710	AC CORD ASS'Y UL 3 CORES	E	
	4308999910	CORD AC UL 3CORES	E , D	
	4308994710	AC CORD (BS HITACHI)	C	
	4308992910	AC CORD ASS'Y BSI	C	
	4308992810	AC CORD ASS'Y SAA	D	
PT	2828067700	TRANS POWER 220V RMX-1426		
	2828067720	TRANS POWER 230V RMX-1426	R , C	
	2828067730	TRANS POWER 240V RMX-1426	D	
	2828067710	TRANS POWER 120V RMX-1426	E	
FUSE	4458999310	FUSE CARRIER FEK-0031.1661 SUT		
	4458999410	FUSE CARRIER FEU0031.1663 SUT	R , E , C , D	
	5508121337	FUSE 61S 31.8MM 300MA/250V U/C		
	5508410739	FUSE#218T 20MM 100MA/250V UCSK		
	5508412239	FUSE#218T 20MM 1A/250V UCSKJ		
	5508410836	FUSE TS20MM 125MA/250V U/C/S/V	R , E , C , D	
	5508411436	FUSE TS 20MM315MA/250V U/C/S/V	R , C , D	
	5508412236	FUSE TS 20MM 1A/250V U/C/S/V	R , E , C , D	
	5508411936	FUSE TS20MM 630MA/250V U/C/S/V	E	

1	2	3	4	5	6
COMPANY	INTER.M	APPLICANT	REVISED NUMBER AND DATE		SIGNATURE
TYPE CODE			1.	4.	7.
APPROVED DATE			2.	5.	8.
			3.	6.	9.
			DRAWN	CHECKED	APPROVED
			NOTE		SHEET NO.
			1426FAD.SCH		SCHEMATIC DIAGRAM
					MODEL : RMX-1426 FADER B'D

AN704
TO STEREO OUTPUT B'D

PCB STEREO OUTPUT FADER
4003489910

AN2031

AN2032

AN2033

AN2034

PCB STEREO INPUT FADER
4003489900

***SERVICE INFORMATION**

1.RESISTANCE VALUES ARE INDICATED IN OHMS UNLESS OTHERWISE SPECIFIED.
(K=1.000, M=1.000.000)

2.CAPACITANCE VALUES ARE SHOWN IN MICROFARADS UNLESS OTHERWISE NOTED.
(P=MICRO-MICROFARADS)

3.ALL VOLTAGES ARE REFERED TO GROUND UNDER THE FOLLOWING CONDITIONS.
DC:NO SIGNAL EXCEPT WHERE INDICATED.
AC:RMS

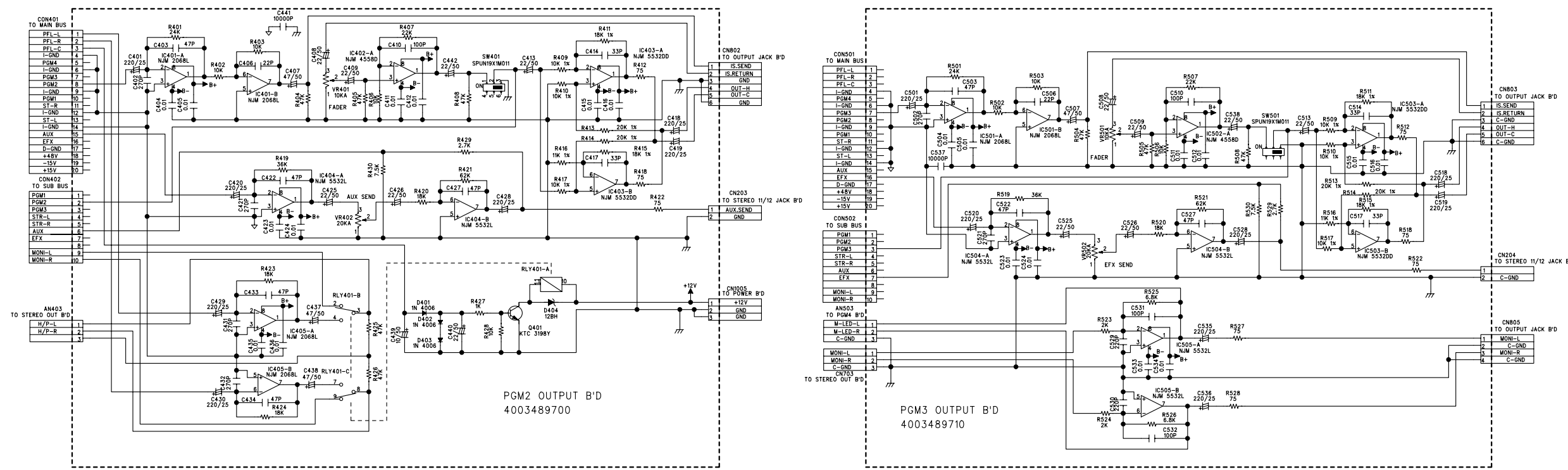
1	2	3	4	5	6	7	8	9
COMPANY	INTER.M	APPLICANT	REVISED NUMBER AND DATE	SIGN	DRAWN	CHECKED	APPROVED	NOTE
TYPE CODE								
APPROVED DATE								

1426PGM2.SCH

SHEET NO.

SCHEMATIC DIAGRAM

MODEL : RMX-1426 PGM 2,3 OUTPUT

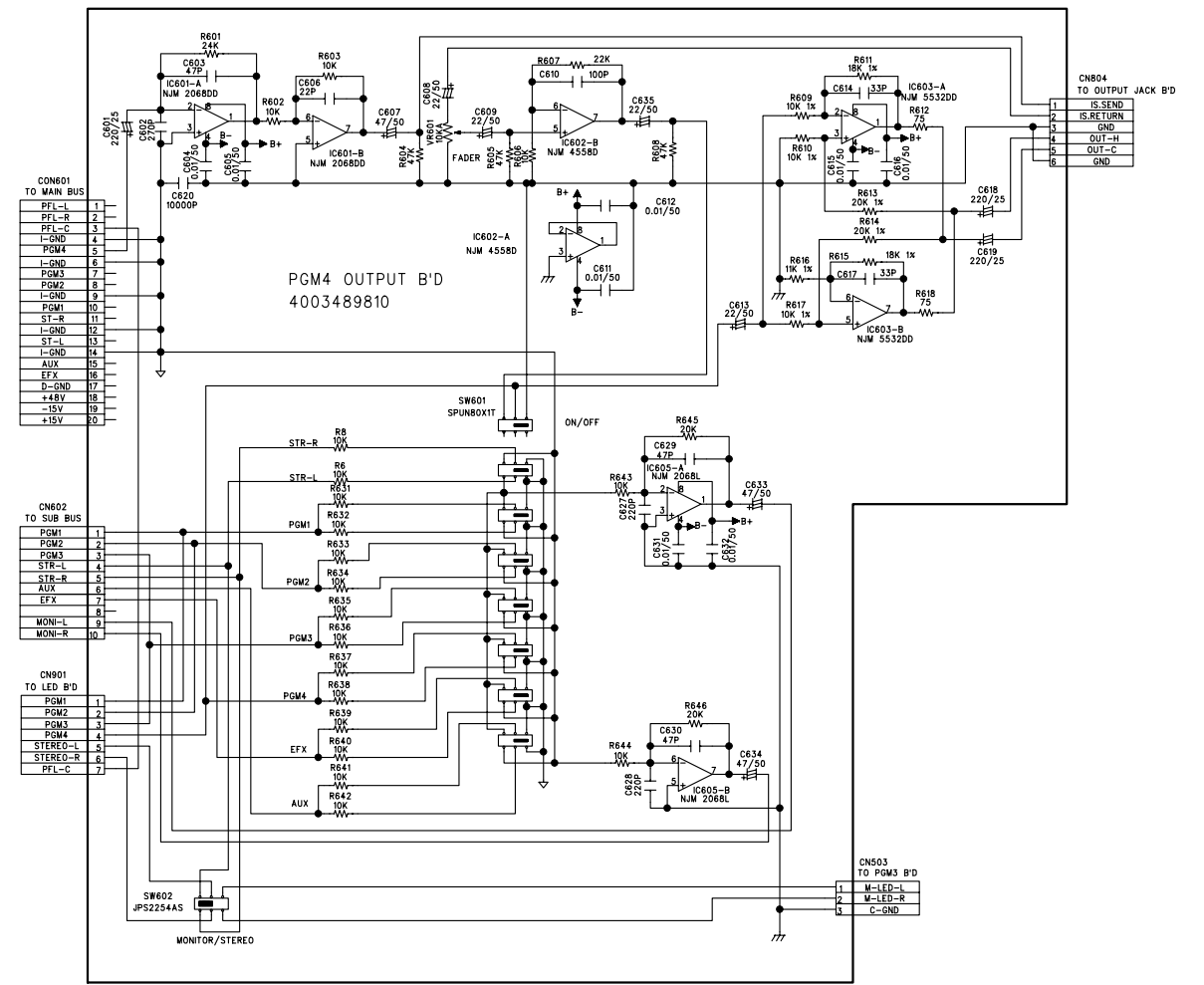
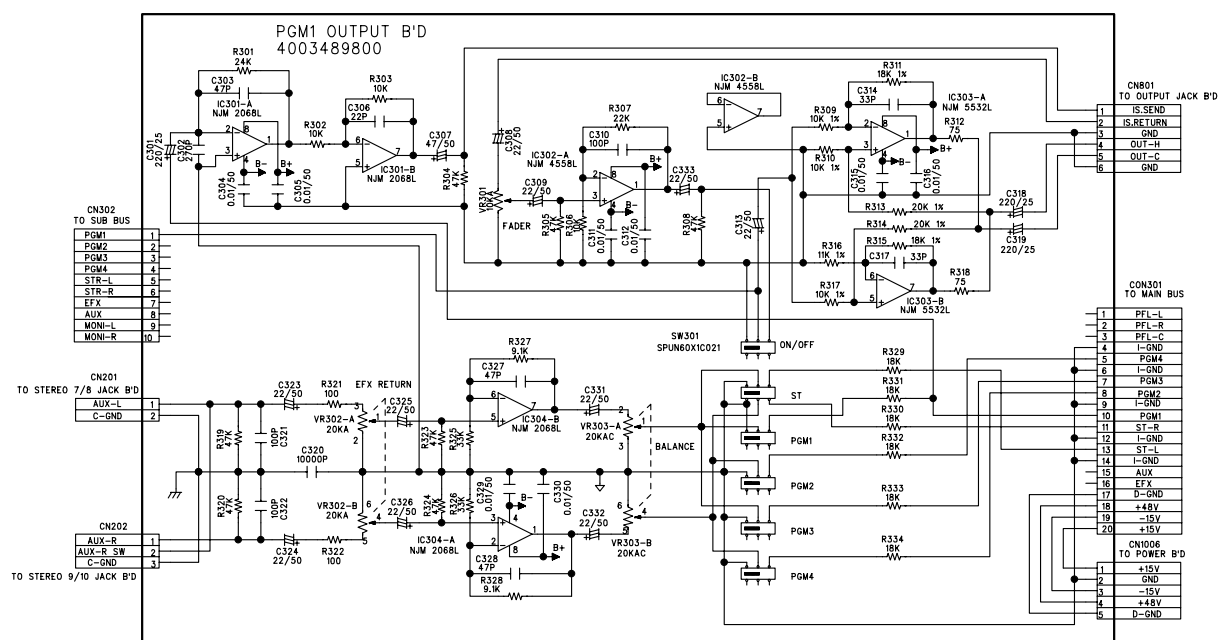


*SERVICE INFORMATION
 1.RESISTANCE VALUES ARE INDICATED IN OHMS UNLESS OTHERWISE SPECIFIED.
 (K=1,000, M=1,000,000)
 2.CAPACITANCE VALUES ARE SHOWN IN MICROFARADS UNLESS OTHERWISE NOTED.
 (P=PICO-MICROFARADS)
 3.ALL VOLTAGES ARE REFERRED TO GROUND UNDER THE FOLLOWING CONDITIONS.
 DC=DC SIGNAL EXCEPT WHERE INDICATED.
 AC=RMS

1	2	3	4	5	6	7	8	9
COMPANY	INTER.M	APPLICANT	REVISED NUMBER AND DATE	SIGN	DRAWN	CHECKED	APPROVED	NOTE
TYPE CODE			1. 4. 7.					
APPROVED DATE			2. 5. 8.					
			3. 6. 9.					

1426PGM1.SCH

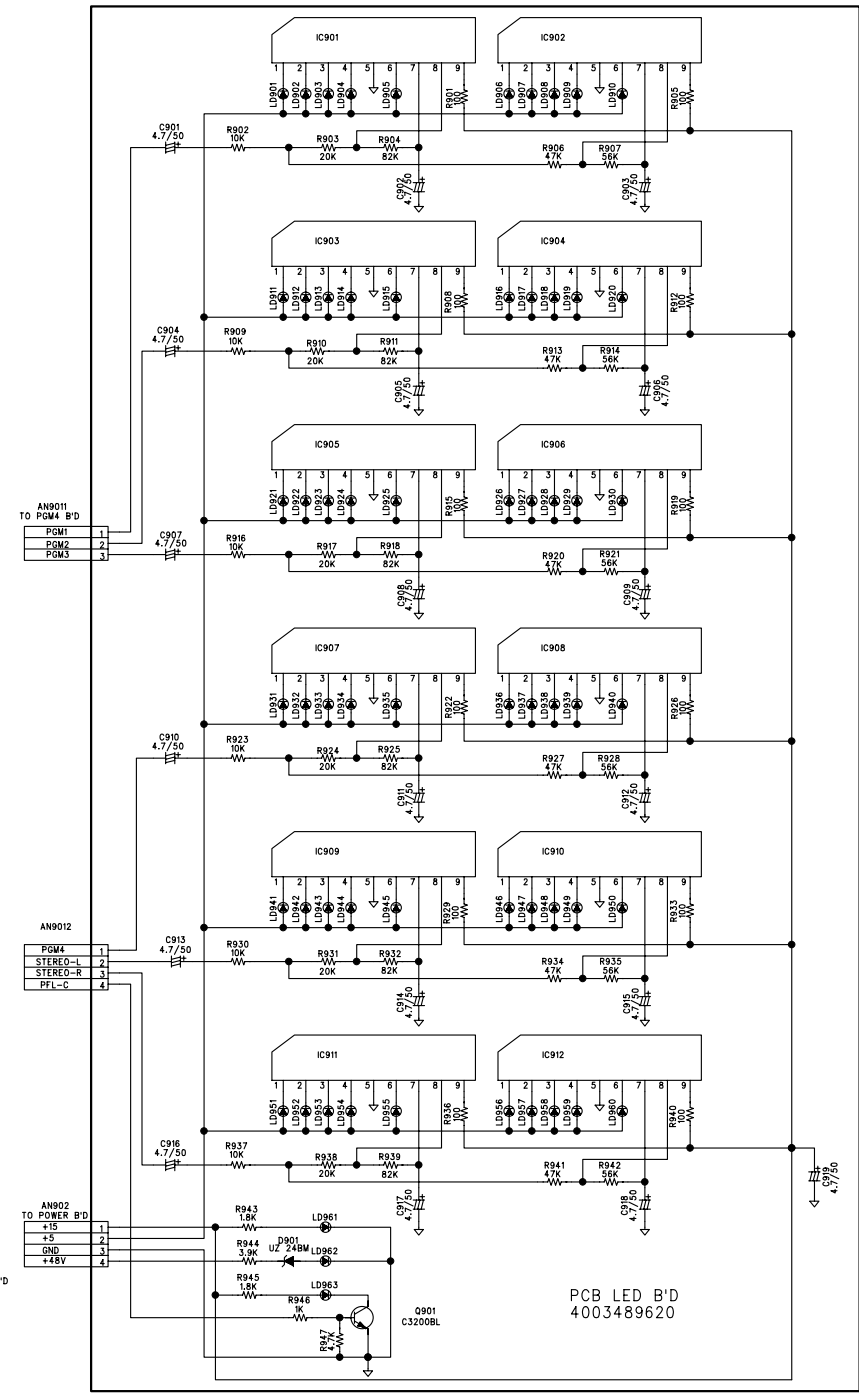
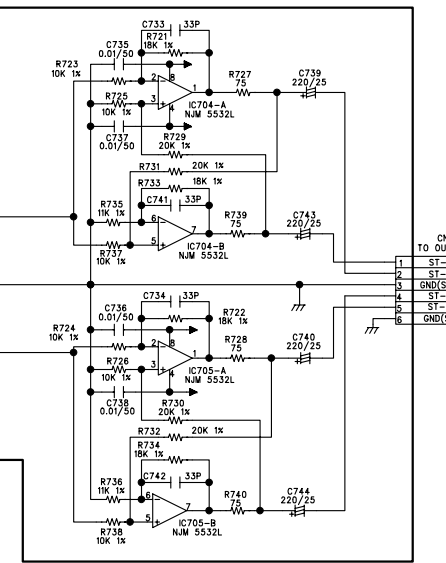
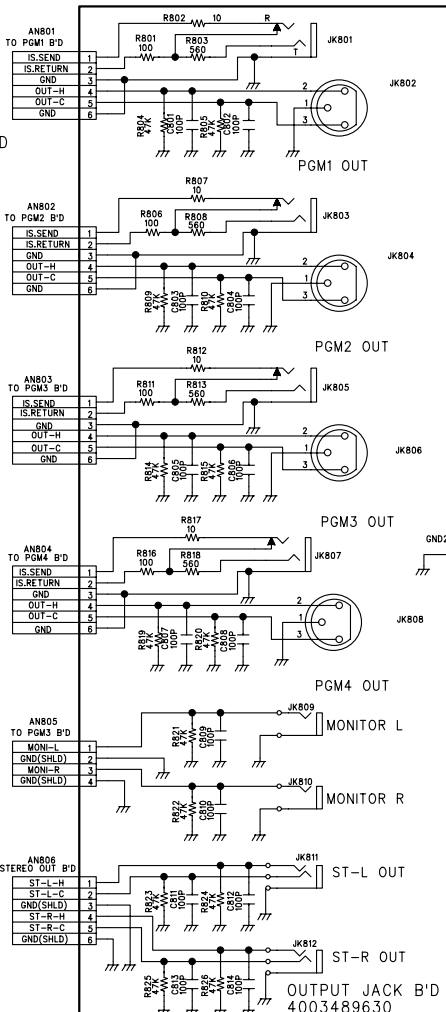
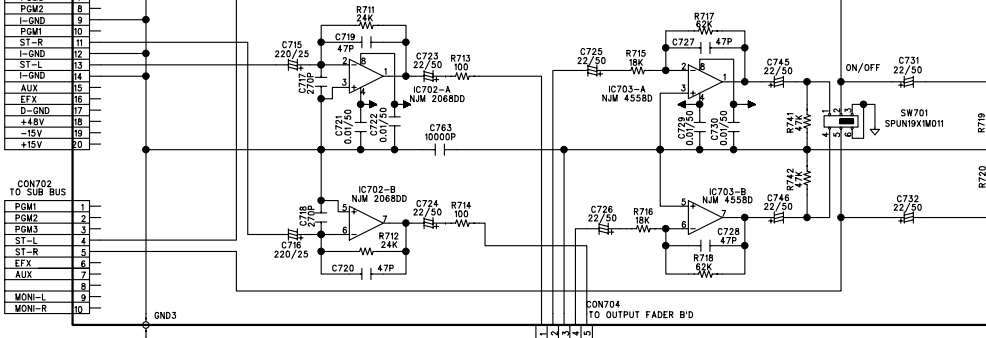
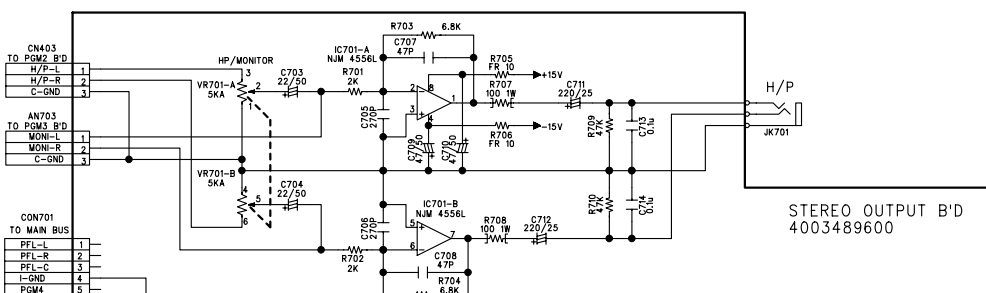
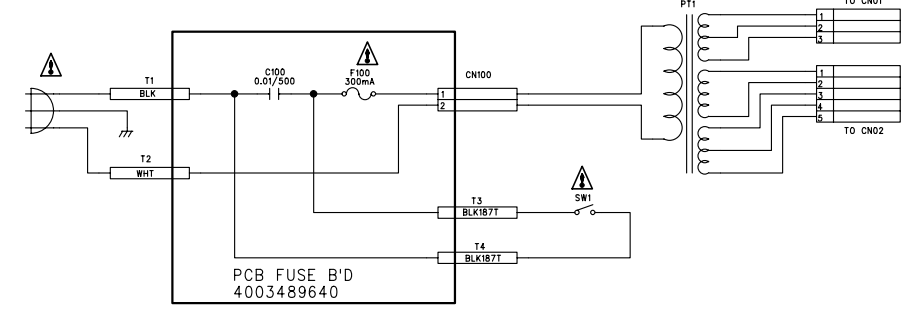
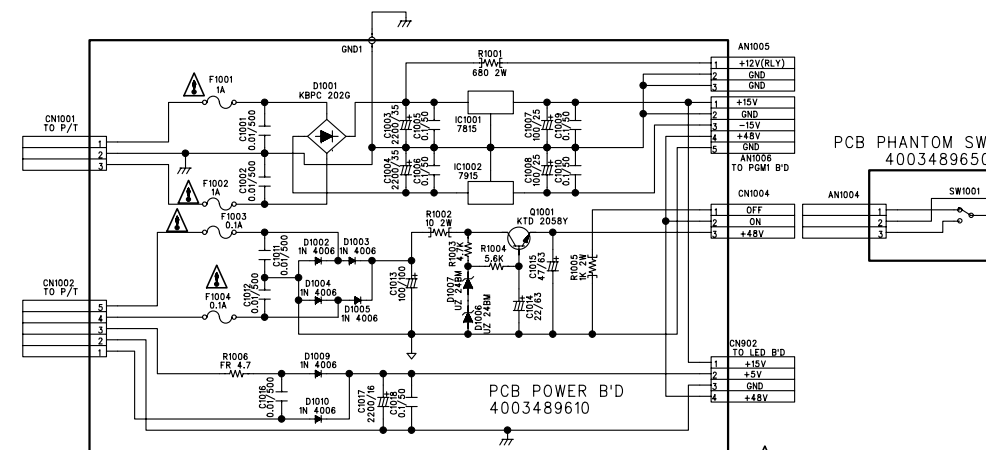
SHEET NO. SCHEMATIC DIAGRAM
MODEL : RMX-1426 PGM 1,4 OUTPUT



*SERVICE INFORMATION
1.RESISTANCE VALUES ARE INDICATED IN OHMS UNLESS OTHERWISE SPECIFIED.
(K=1000, M=1000.000)
2.CAPACITANCE VALUES ARE SHOWN IN MICROFARADS UNLESS OTHERWISE NOTED.
(P=MICRO-MICROFARADS)
3.ALL VOLTAGES ARE REFERRED TO GROUND UNDER THE FOLLOWING CONDITIONS.
DC/NO SIGNAL EXCEPT WHERE INDICATED.
AC:RMS

1	2	3	4	5	6	7	8	9
COMPANY	INTER.M	APPLICANT	REVISED NUMBER AND DATE	SIGN	DRAWN	CHECKED	APPROVED	NOTE
TYPE CODE			1. 4. 7.					
APPROVED DATE			2. 5. 8.					
			3. 6. 9.					

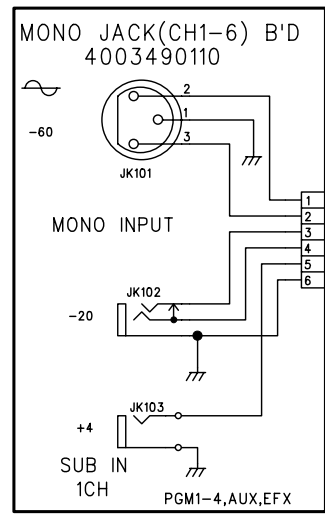
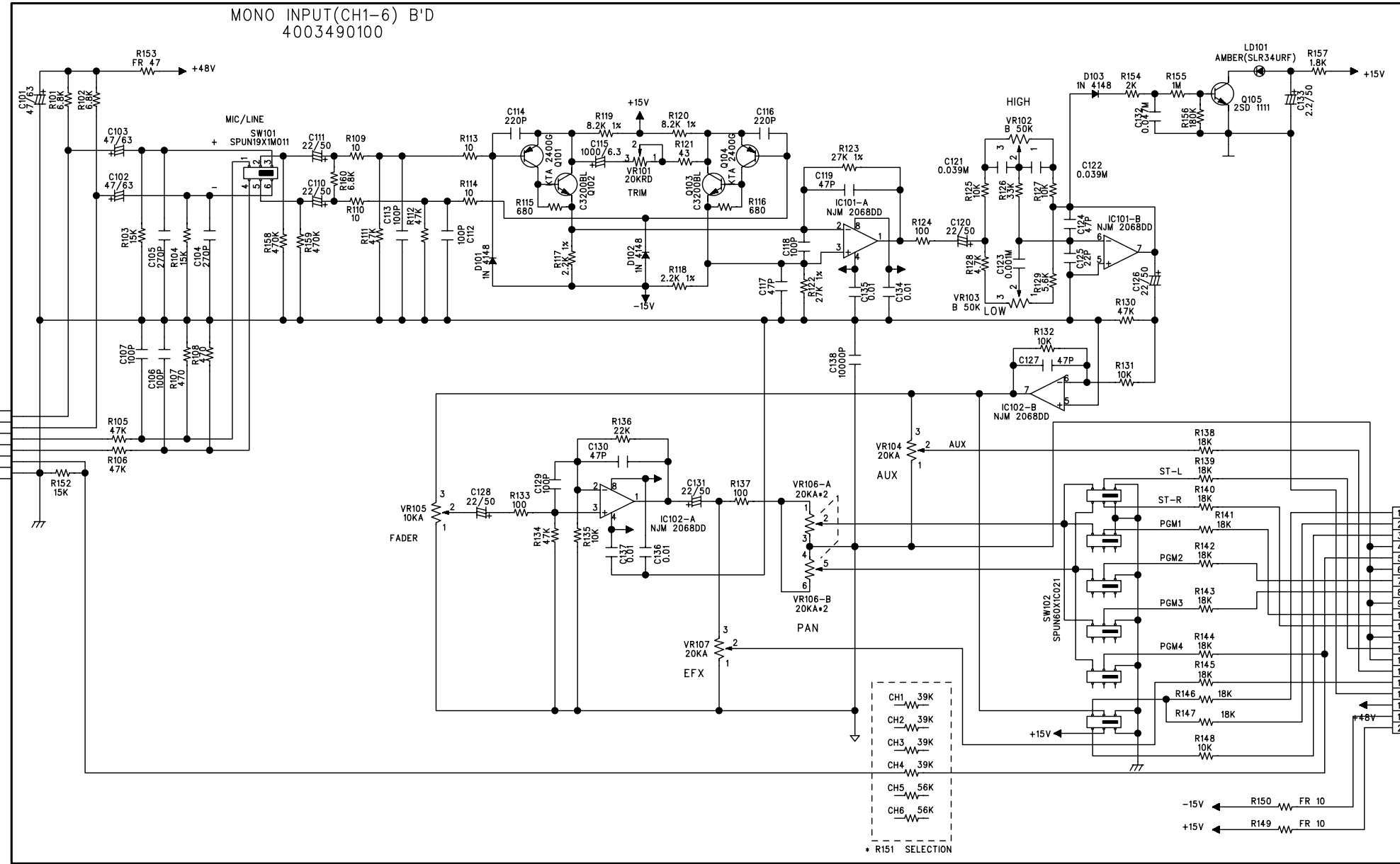
1426OUT.SCH SHEET NO. SCHEMATIC DIAGRAM
MODEL : RMX-1426 OUT B'D



*SERVICE INFORMATION
1.RESISTANCE VALUES ARE INDICATED IN OHMS UNLESS OTHERWISE SPECIFIED.
(K=1,000, M=1,000,000)
2.CAPACITANCE VALUES ARE SHOWN IN MICROFARADS UNLESS OTHERWISE NOTED.
(P=PICTO=PICTOFARADS)
3.ALL VOLTAGES ARE REFERRED TO GROUND UNDER THE FOLLOWING CONDITIONS.
ACRMS
4.-PRECAUTION-
A) ALL COMPONENTS MARKED WITH A MUST BE REPLACED ONLY WITH ORIGINAL TYPE SPECIFIED BY THE MANUFACTURER. INTER M CORPORATION AND INSTALLED AS THE ORIGINAL SPACERS AND POSITIONED AWAY FROM ADJACENT COMPONENTS WHERE APPLICABLE.
B) ALL SOLDERING MUST BE DONE IN A PROFESSIONAL MANNER USING SOLDER WHITE RESINE CORE ONLY.
C) ALL COVERS, SHIELD AND INSULATING SPACERS MUST BE REPLACED BEFORE RETURNING APPLIANCE TO CUSTOMER.
D) A DAMAGE POWER SUPPLY CORD MUST BE REPLACED BEFORE RETURNING TO CUSTOMER.
E) DIELECTRIC TEST CONSISTING OF 120V AC 60HZ IS TO BE APPLIED BETWEEN BOTH BALDES OF THE POWER SUPPLY CORD ATTACHMENT PLUG THE EXPOSED CONDUCTIVE SURFACE OF THE APPLIANCE FOR A PERIOD OF NOT LESS THAN ONE SECOND BEFORE RETURNING APPLIANCE TO CUSTOMER.
F) THE 3W 1/2W MARKED RESISTORS ARE MOUNTED THE P.C.B ON SLEEVES.

1		2		3		4		5		6	
COMPANY	INTER.M	APPLICANT	REVISED NUMBER AND DATE			SIGN	DRAWN	CHECKED	APPROVED	NOTE	SHEET NO.
TYPE CODE			1.	4.	7.						SCHEMATIC DIAGRAM
APPROVED DATE			2.	5.	8.						MODEL : RMX-1426 MONO INPUT B'D
			3.	6.	9.						

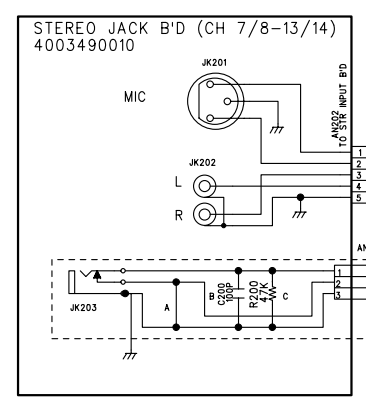
1426MONO.SCH



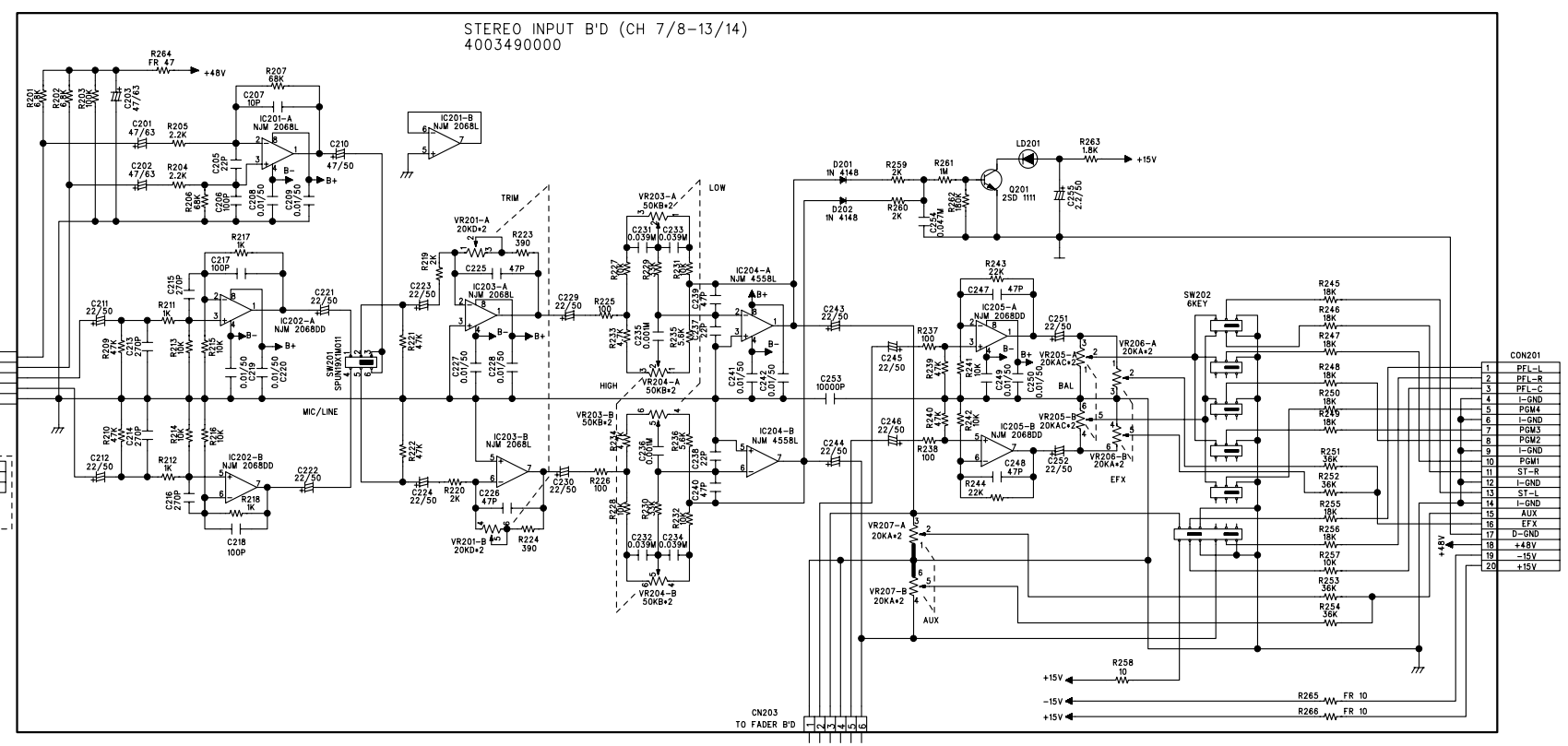
*SERVICE INFORMATION
 1.RESISTANCE VALUES ARE INDICATED IN OHMS UNLESS OTHERWISE SPECIFIED.
 (K=1,000, M=1,000,000)
 2.CAPACITANCE VALUES ARE SHOWN IN MICROFARADS UNLESS OTHERWISE NOTED.
 (P=MICRO-MICROFARADS)
 3.ALL VOLTAGES ARE REFERRED TO GROUND UNDER THE FOLLOWING CONDITIONS.
 DC:NO SIGNAL EXCEPT WHERE INDICATED.
 AC:RMS

1	PFL-L
2	PFL-R
3	PFL-C
4	I-GND
5	PGM4
6	I-GND
7	PGM2
8	PGM3
9	I-GND
10	PGM1
11	ST-R
12	I-GND
13	ST-L
14	I-GND
15	AUX
16	EFX
17	GND
18	+48V
19	-15V
20	+15V

CH1 39K
 CH2 39K
 CH3 39K
 CH4 39K
 CH5 56K
 CH6 56K
 * R151 SELECTION



CHANNEL	JK203	SELECTION			+ AN200		
		A	B	C	PIN-1	PIN-2	PIN-3
CH 7/8	EFX RETURN L/MONO	0			EFX-L	C-GND	
CH 9/10	EFX RETURN R		0		EFX-R	EFX-RSW	C-GND
CH 11/12	AUX SEND	0	0	0	AUX SEND	C-GND	
CH 13/14	EFX SEND	0	0	0	EFX SEND	C-GND	



*SERVICE INFORMATION
1. RESISTANCE VALUES ARE INDICATED IN OHMS UNLESS OTHERWISE SPECIFIED.
(K=1,000, M=1,000,000)
2. CAPACITANCE VALUES ARE SHOWN IN MICROFARADS UNLESS OTHERWISE NOTED.
(P=MICRO-MICROFARADS)
3. ALL VOLTAGES ARE REFERRED TO GROUND UNDER THE FOLLOWING CONDITIONS.
DC: NO SIGNAL EXCEPT WHERE INDICATED.
AC: RMS

