

**SERVICE**

**MANUAL**

REMOTE AMPLIFIER WITH ZONE

**SELECTOR**

**RM-916**

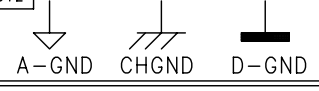
**interM**

**ELECTRICAL PARTS LIST ( RM-916 )**

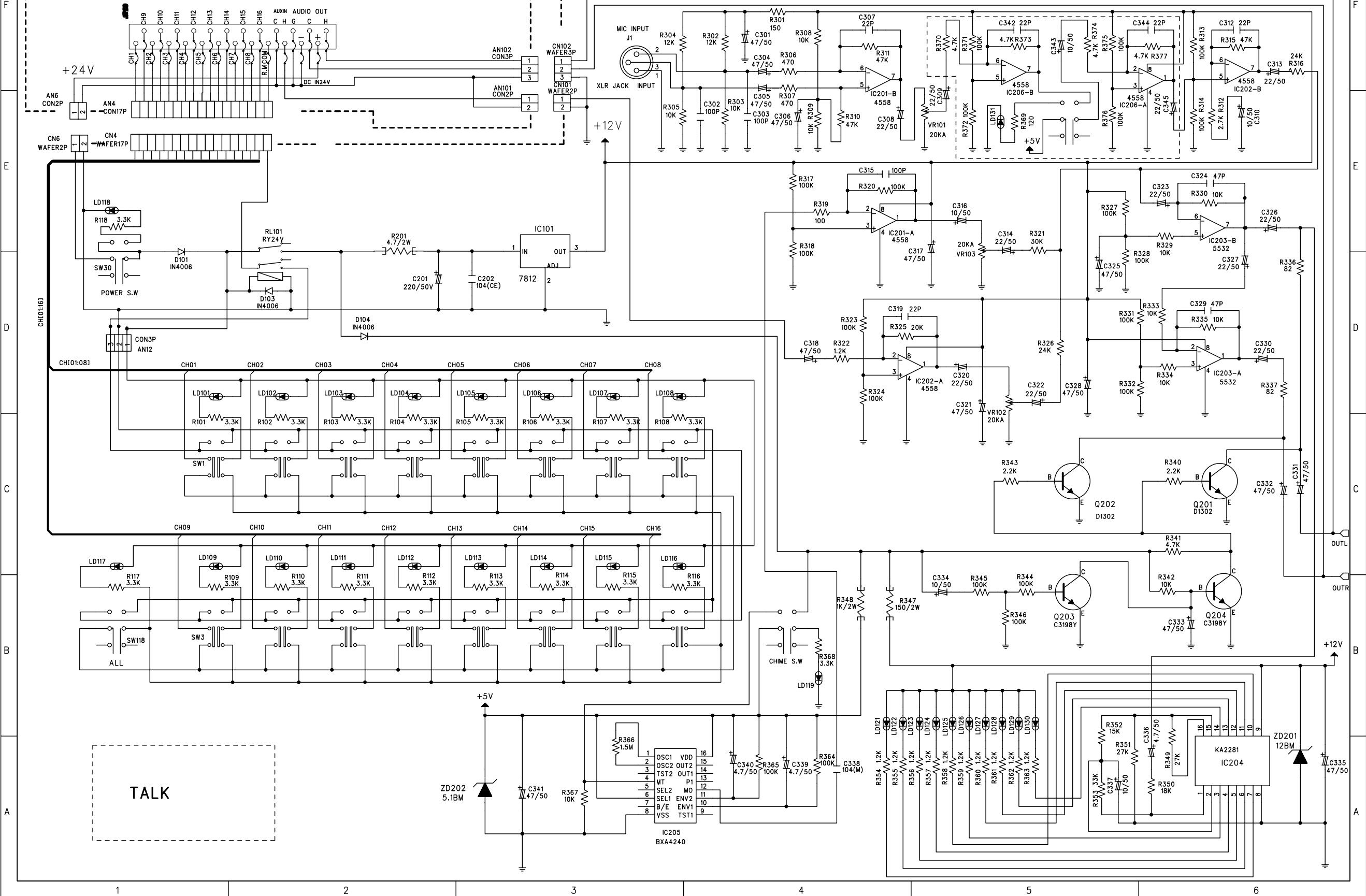
Ref No.	Part No.	Description	Value	Qty
<b>MAIN B'D</b>				
IC205	2128740208	IC BXA 4240	BXA4240	1
C202	3509104530-T	CAP CE F 0.1UF 50V Z	104(CE)	1
C312 C307 C319 C342 C344	3509220130-T	CAP CE SL 22PF 50V J	22P	5
C338	3609104120-T	CAP MA 0.1UF 100V J	104(M)	1
C324 C329	3509470130-T	CAP CE SL 47PF 50V J	47P	2
C201	3409222171-T	CAP AF RSG 220UF 50V SG 10 P	220/50V	1
C301 C304-306 C321 C317-318 C325 C328 C331-333 C335 C341	3409247071-T	CAP AF RSG 47UF 50V 6 P	47/50	14
C316 C310 C343 C334	3409210071-T	CAP AF RSG 10UF 50V 5 P	10/50	5
C336 C339-340	3409247971-T	CAP AF RSG 4.7UF 50V 5 P	4.7/50	3
IC204	2118032210	IC TA7666P TOSHIBA(2281)	KA 2181	1
IC201-202 IC206	2118010590	IC NJM4558D JRC	4558	3
IC203	2118010332	IC NJM 5532DD JRC	5532	1
D101 D103-104	2058100996	DIODE RECTIFIER LT1N4006(4007)	IN4006	3
J1	4438193810	XLR JACK(F) 3P(E203A0040N)	XLR JACK INPUT	1
JP1-24			JUMPER1	24
LD101-117 LD119 LD121-125 LD131	2300032100	LED LTL-1CHG LITEON	LED GREEN	24
LD126-129	2318999990	LED DISPLAY A43B/5G4YH	LED DISPLAY	4
LD130 LD118	2300030100	LED LTL-1CHE LITEON	LED RED	2
R201	3039479572-F	RES MO 4.7 2W J N	4.7/2W	1
R101-118 R368	3009332973	RES CF 3.3K 1/5W J N	3.3K	19
R350	3009183973	RES CF 18K 1/5W J N	18K	1
R351 R349	3009273973	RES CF 27K 1/5W J N	27K	2
R353	3009333973	RES CF 33K 1/5W J N	33K	1
R322 R354-363	3009122973	RES CF 1.2K 1/5W J N	1.2K	11
R352	3009153973	RES CF 15K 1/5W J N	15K	1
R364-365	3009104973	RES CF 100K 1/5W J N	100K	2
R366	3009155973	RES CF 1.5M 1/5W J N	1.5M	1
R367	3009103973	RES CF 10K 1/5W J N	10K	1
R301	3009151973	RES CF 150 1/5W J N	150	1
R302 R304	3009123973	RES CF 12K 1/5W J N	12K	2
R303 R305 R308-309 R329-330 R333-335 R342	3009103973	RES CF 10K 1/5W J N	10K	10
R314 R317-318 R320 R323-324 R327-328 R331-332 R313 R344-346 R371-372 R375-376	3009104973	RES CF 100K 1/5W J N	100K	18
R316 R326	3009243973	RES CF 24K 1/5W JN CDC-9300	24K	2
R311 R310 R315	3009473973	RES CF 47K 1/5W J N	47K	3
R336-337	3009820973	RES CF 82 1/5W J N	82	2
R341 R370 R373-374 R377	3009472973	RES CF 4.7K 1/5W J N	4.7K	5

R340 R343	3009222973	RES CF 2.2K 1/5W J N	2.2K	2
R319	3009101973	RES CF 100 1/5W J N	100	1
R321	3009303973	RES CF 30K 1/5W J N	30K	1
R306-307	3009471973	RES CF 470 1/5W J N	470	2
R325	3009203973	RES CF 20K 1/5W J N	20K	1
R369	3009121973	RES CF 120 1/5W J N	120	1
R312	3009272973	RES CF 2.7K 1/5W J N	2.7K	1
RL101	5528999700	RELAY 876AN2-2C-S 24VDC	RY24V	1
SW30	4648099310	POWER SWITCH (H8500VB)	POWER SW	1
Q201-204	2008606998-T	KTD1302-AT	D1302	4
VR101-103	3228068710	VR RK09K1130D0N	20KA	3
CN6 CN101	4428595002	LW5267/LWB0640/2.5MM-02P	WAFER2P	2
CN102	4428595003	LW5267/LWB0640/2.5MM-03P	WAFER3P	1
ZD201	2058502120	DIODE ZENER UZ-12BM(1N5242B)	12BM	1
ZD202	2058500051	DIODE ZENER UZ-5.1B(1N5231B)	5.1BM	1
SW2			SW/PUSH	1
SW4			SW 2285 NL ( )	1
SW1 SW3			SW 2285 L ( )	2
SW118			SW 2281 (ALL )	1
AN4			CON17P	1
CN4			WAFER17P	1
AN6 AN101			CON2P	2
AN12 AN102			CON3P	2
C302-303 C315			100P	3
C322-323 C326-327 C313 C330 C314 C308-309 C320 C345			22/50	11
IC101			IC 7812	1
R347			150/2W	1
R348			1K/2W	1
	3009561973	RES CF 560 1/5W J N	560R	1
	3009273973	RES CF 27K 1/5W J N	27K	2
	2008606104-T	TR NPN KTC3198-Y-AT TO-92	C 3198Y	2
	3409210141-T	CAP AF RSG 100UF 25V 6 P	E 100/25V	11

1		2		3		4		5		6	
COMPANY	INTER.M	APPLICANT	REVISED NUMBER AND DATE			SIGN	DRAWN	CHECKED	APPROVED	NOTE	
TYPE CODE			1.	4.	7.						
APPROVED DATE	99.04.16		2.	5.	8.						
			3.	6.	9.						



SIZE: A3  
SHEET NO.: 1/1  
SCHEMATIC DIAGRAM  
MODEL: RM-916



TALK

1	2	3	4	5	6
---	---	---	---	---	---