

SERVICE

MANUAL

M

I

C

AMPLIFIER

PS-30

interM

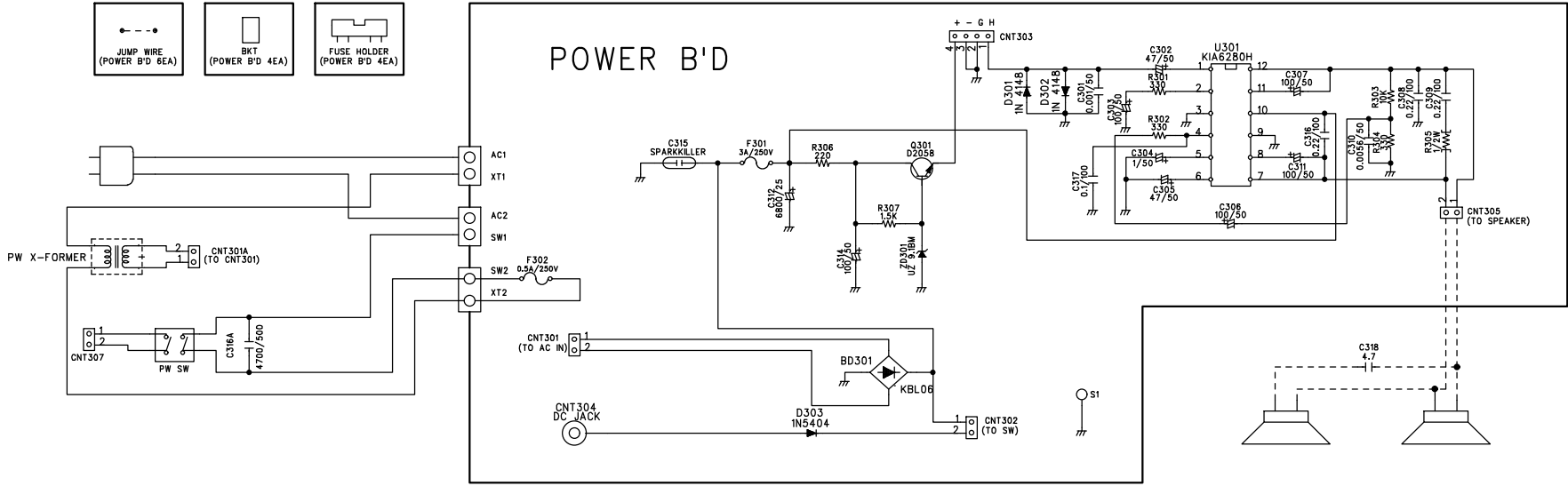
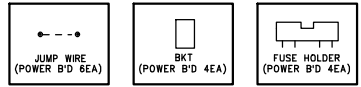
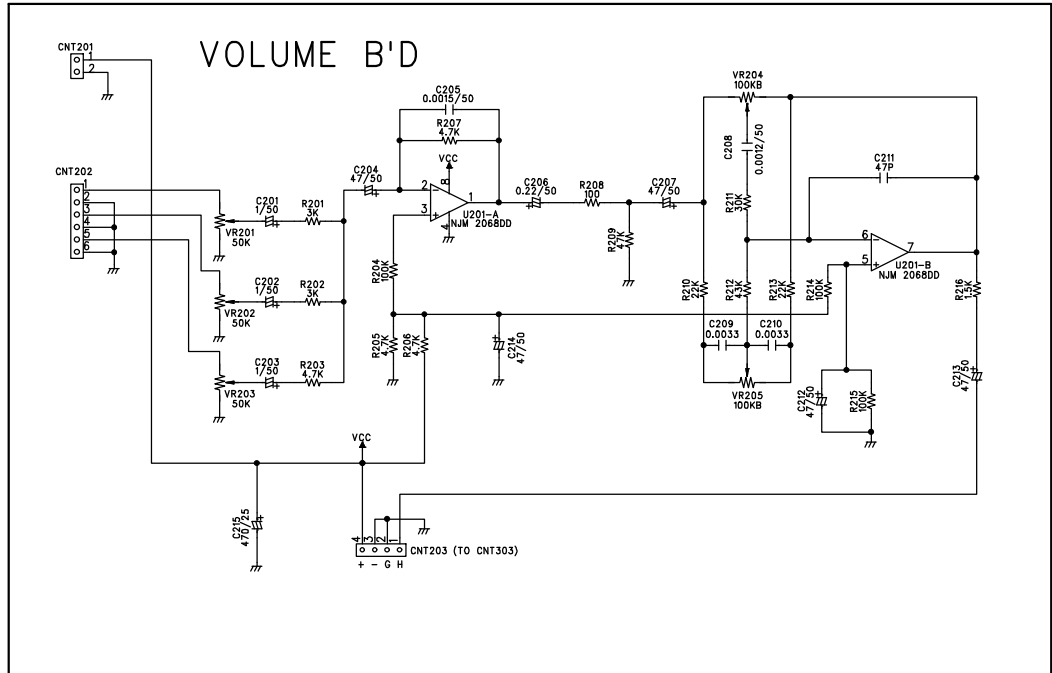
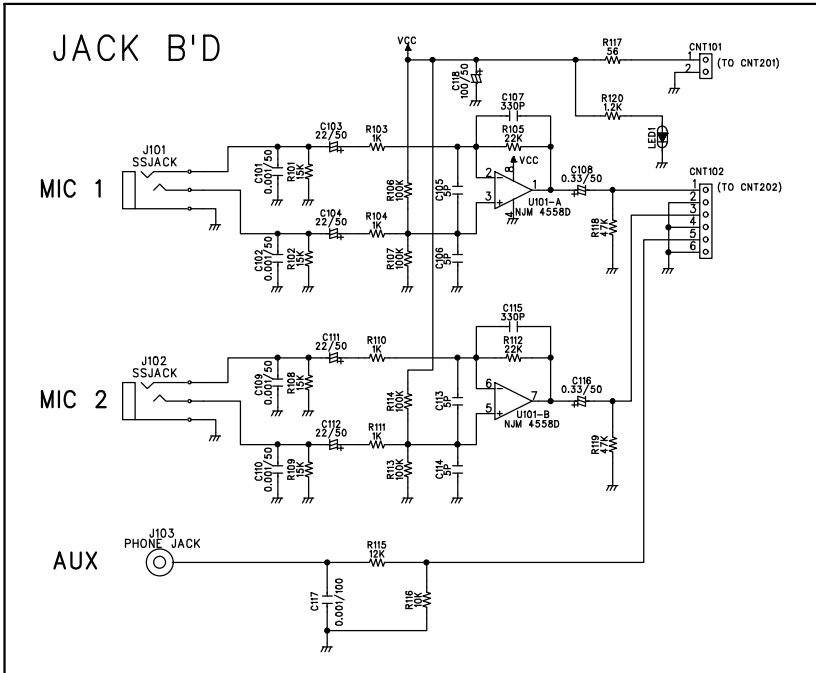
ELECTRICAL PARTS LIST

Ref No.	Part No.	Description	Value
JACK B'D			
JUMP WIRE	1508400501	JUMP WIRE(0.5/52M/M)	JUMP WIRE
U101	2118010590	IC NJM4558D JRC	NJM 4558D
LED1	2300030105	LED LTL - 16KHR - 021A LITEON	LED
R103 - 104 R110 - 111	3009102973	RES CF 1K 1/5W J N	1K
R116	3009103973	RES CF 10K 1/5W J N	10K
R106 - 107 R113 - 114	3009104973	RES CF 100K 1/5W J N	100K
R120	3009122973	RES CF 1.2K 1/5W J N	1.2K
R115	3009123973	.	12K
R101 - 102 R108 - 109	3009153973	RES CF 15K 1/5W J N	15K
R105 R112	3009223973	RES CF 22K 1/5W J N	22K
R118 - 119	3009473973	RES CF 47K 1/5W J N	47K
R117	3009560973	RES CF 56 1/5W J N	56
C118	3409210171 - T	CAP AF RSG 100UF 50V 8 P	100/50
C103 - 104 C111 - 112	3409222071 - T	CAP AF RSG 22UF 50V 5 P	22/50
C108 C116	3409233871 - T	CAP AF RSG 0.33UF 50V 5 P	0.33/50
C101 - 102 C109 - 110	3509102530 - T	CAP CE B 0.001UF 50V J	0.001/50
C107 C115	3509331130 - T	CAP CE SL 330PF 50V J	330P
C105 - 106 C113 - 114	3509509030 - T	CAP CE SL 5PF 50V J	5P
C117	3609102120 - T	CAP MA 0.001UF 100V	0.001/100
J103	4438092110	PIN JACK BOARD (1P) MA - 5,8	PHONE JACK
J101 - 102	4438099110	JACK PHONE 7P H20780050S	SSJACK
VOLUME B'D			
U201	2118010432	IC NJM2068DD JRC	NJM 2068DD
R208	3004100953	RES CF 100 1/5W FN SMA - 4000	100
R204 R214 - 215	3009104973	RES CF 100K 1/5W J N	100K
R216	3009152973	RES CF 1.5K 1/5W J N	1.5K
R210 R213	3009223973	RES CF 22K 1/5W J N	22K
R201 - 202	3009302973	RES CF 3K 1/5W J N	3K
R211	3009303973	RES CF 30K 1/5W J N	30K

R212	3009433973	RES CF 43K 1/5W JN	43K
R203 R205 -207	3009472973	RES CF 4.7K 1/5W J N	4.7K
R209	3009473973	RES CF 47K 1/5W J N	47K
C201 -203	3409210971 -T	CAP AF RSG 1UF 50V 5 P	1/50
C206	3409222871 -T	CAP AF RSG 0.22UF 50V 5 P	0.22/50
C204 C207 C212 -214	3409247071 -T	CAP AF RSG 47UF 50V 6 P	47/50
C215	3409247147 -T	CAP SD 470UF 25V 10P	470/25
C205	3509152130 -T	CAP CE D 0.0015UF 50V K	0.0015/50
C211	3509470130 -T	CAP CE SL 47PF 50V J	47P
C209 -210	3609332120 -T	CAP MA 0.0033UF 100V	0.0033
CNT201	4428598302	CONNECTOR WAFER LW -0640 -2P	2P
CNT202	4428598306	CONNECTOR WAFER LW -0640 -6P	6P
BKT BKT1	6505954310	BKT.PCB PS - M350	BKT
C208			0.0012/50
VR204 - 205			100KB
VR201 - 203			50K
POWER B'D			
JUMP WIRE	1508400501	JUMP WIRE(0.5/52M/M)	JUMP WIRE
D301 -302	2058304100	DIODE IN4148	1N 4148
ZD301	2058502091	DIODE ZENER UZ -9.1BM(8.7,9.4)	UZ 9.1BM
R303	3009103973	RES CF 10K 1/5W J N	10K
R307	3009152973	RES CF 1.5K 1/5W J N	1.5K
R306	3009221973	RES CF 220 1/5W J N	220
R301 -302 R304	3009331973	RES CF 330 1/5W J N	330
R305	3039109572 -F	RES MO 1 2W J N	1/2W
C303 C306 -307 C311 C314	3409210171 -T	CAP AF RSG 100UF 50V 8 P	100/50
C304	3409210971 -T	CAP AF RSG 1UF 50V 5 P	1/50
C302 C305	3409247071 -T	CAP AF RSG 47UF 50V 6 P	47/50
C301	3509102530 -T	CAP CE B 0.001UF 50V J	0.001/50
C310	3509562530 -T	CAP CE F 0.0056UF 50V Z	0.0056/50
C317	3609104120 -T	CAP MA 0.1UF 100V J	0.1/100
C308 -309 C316	3609224122 -T	CAP MA 0.22UF 100V J MINI	0.22/100
CNT301 -302 CNT305	4428596602	WAFER LW -1143 -02P	2P
CNT303	4428598304	WAFER LW -0640 -4P	4P
FC FC1 -3	4458999110	FUSE CLIP 5*20	FUSE HOLDER
TAB1 -2	4465998210	TERMINAL(250)PCB TAB	250TAB
SW2 XT2 S1	4678699411	CNT PLUG 1P	CNT PLUG

F301	5508212933	FUSE NB 20MM 3A 250V U/C	3A/250V
F302	5508411734	FUSE 218T 20MM 500MA/250V UCS	0.5A/250V
BKT BKT3	6505954310	BKT.PCB PS - M350	BKT
BD301			KBL06
D303			1N5404
C312			6800/25
CNT304			DC JACK
U301			KIA6280H
C315			104Z 500V
Q301			D2058
ASS'Y			
AC1	4308994910	AC CORD (EUROPE 3 CORES)	AC CORD
C316	3509472950 - T	CAP CE F 4700PF 500V Z	4700/500
C318			4.7
CNT101			2P
CNT102			6P
CNT203			4P
CNT307			2P
CNT301			2P
SPK1			SPEAKER
SPK2			SPEAKER
SW1			PW SW
TRANS			PW X - FORMER

1		2			3			4			5			6		
COMPANY	INTER.M	APPLICANT	REVISED NUMBER AND DATE			SIGN	CHECKED	APPROVED	NOTE	SHEET NO.	SCHEMATIC DIAGRAM					
TYPE CODE			1.	4.	7.					1/1	MODEL : PS-30 SYSTEM					
APPROVED DATE	03.07.08		2.	5.	8.	S.K Ko										
			3.	6.	9.											



interM

www.inter-m.com
MADE IN KOREA
2003.7