

**SERVICE**

**MANUAL**

P R O G R A M M

**DISTRIBUTOR**

**PO-9106**

**interM**

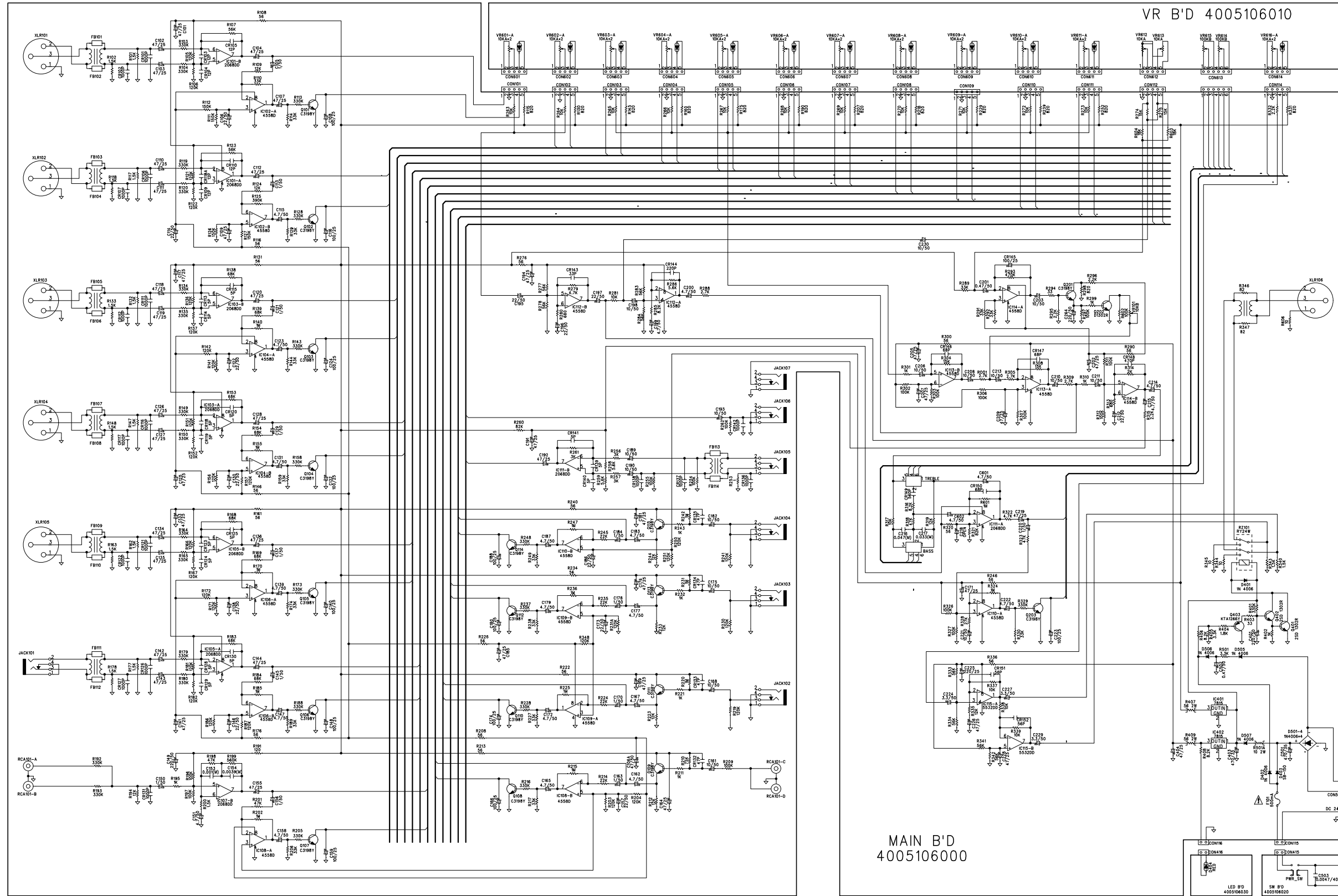
## ELECTRICAL PARTS LIST

Ref No.	Part No.	Description	Value
<b>MAIN B'D(4003400800)</b>			
JUMP WIRE	1508400501	JUMP WIRE(0.5/52M/M)	JUMP WIRE
Q101 Q701 Q803-804	2008606104 - T	TR NPN KTC3198 - Y - AT TO - 92	C3198Y
Q802	2008606105 - T	TR NPN KTA1266 - Y - AT TO - 92	A1266
Q801	2028406113	KTD2058 - Y - U	D2058
D801 - 807	2058100996	DIODE RECTIFIER LT1N4006(4007)	1N 4006
D101	2058304100	DIODE IN4148M	1N 4148
ZD801 - 802	2058502200	DIODE ZENER UZ - 20BM(1N5250B)	20V
U102	2118010332	IC NJM 5532DD JRC	5532
U101 U701 - 702	2118012332	IC NJM 4560DD	4560DD
R112 R719	3009100973	RES CF 10 1/5W J N	10
R708 R712 R804	3009101973	RES CF 100 1/5W J N	100
R104 R107 R113 R117 R717 R803 R815	3009102973	RES CF 1K 1/5W J N	1K
R102 - 103 R105 - 106 R115 R703 - 706 R710 - 711 R715 R807 - 808	3009103973	RES CF 10K 1/5W J N	10K
R713 - 714	3009104973	RES CF 100K 1/5W J N	100K
R108 - 109 R811	3009122973	RES CF 1.2K 1/5W J N	1.2K
R118 R718	3009152973	RES CF 1.5K 1/5W J N	1.5K
R110 - 111	3009221973	RES CF 220 1/5W J N	220
R116 R701 - 702	3009223973	RES CF 22K 1/5W J N	22K
R716	3009302973	RES CF 3K 1/5W J N	3K
R814	3009330973	RES CF 33 1/5W J N	33
R810	3009332973	RES CF 3.3K 1/5W J N	3.3K
R813	3009334973	RES CF 330K 1/5W J N	330K
R709 R805 - 806	3009472973	RES CF 4.7K 1/5W J N	4.7K
R101 R707	3009473973	RES CF 47K 1/5W J N	47K
R114	3009682973	RES CF 6.8K 1/5W J N	6.8K
R809	3009822973	RES CF 8.2K 1/5W J N	8.2K
R801 RG1	3039100674	RES MO 10 3W	10 3W
R802	3039222572	RES MO 2.2K 2W JN T.H	2.2K 2W

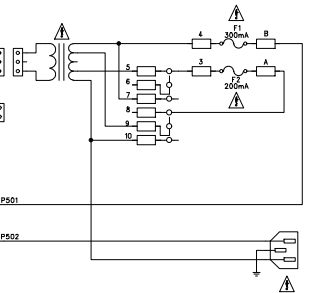
R71X	3248347320-T	RES SEMI RH0638C100473	473
C101 C110 C708 C711 C713-714	3409210071-T	CAP AF RSG 10UF 50V 5 P	10/50
C703-704 C707 C805-806 C808	3409222071-T	CAP AF RSG 22UF 50V 5 P	22/50
C802-804	3409222171-T	CAP AF RSG 220UF 50V SG 10 P	220/50
C106-107	3409233071-T	CAP AF RSG 33UF 50V 6 P	33/50
C111 C807	3409247871-T	CAP AF RSG 0.47UF 50V 5 P	0.47/50
C710	3409247971-T	CAP AF RSG 4.7UF 50V 5 P	4.7/50
C801	3419522267	CAP E SD 2200UF/35V (16*25)	2200/35
C102-103 C701-702	3509101231-A	CAP CE B 100PF 50V K AXIAL	100P
C705	3509220130-T	CAP CE SL 22PF 50V J	22P
C1XA C1XB	3509472530-T	CAP CE F 0.0047UF 50V Z	0.0047/50
C709	3509681231-A	CAP CE YB 680PF 50V K AXIAL	680P
C109 C113 C712 C716	3539104531-A	CAP CE Y 100000PF 50V Z AXIAL	100000P
CNT104	4428595002		2P
CNT101	4428595003		3P
CNT102-103	4428595008		8P
CNT106	4428598302		2P
TER1	4438094610	DC TERMINAL 2P	DC TERMINAL
JK101	4438097120	XLR JACK XLM-3PH (BELTON)	XLM
JK701	4438097620	JACK XLR XLF-3SP-5 (BELTON)	XLF
RLY101	5528001040	RELAY RZ-24 RY24W DC24V	DC24V
CNT104	4428595002	LW5267/LWB0640/2.5MM-02P	2P
CNT101	4428595003	LW5267/LWB0640/2.5MM-03P	3P
CNT102-103	4428595008	LW5267/LWB0640/2.5MM-08P	8P
CNT106	4428598302	CONNECTOR WAFER LW-0640-2P	2P
T101			600: 600
T701			600: 10K
<b>PO-9106 FRONT B'D(4003400810)</b>			
JUMP WIRE	1508400501	JUMP WIRE(0.5/52M/M)	JUMP WIRE
LD1			PW_LED
SW1			PWR SW
LD901-907	2308232222-T	SLR 34URF 25	AMBER(SLR34URF)
VR901-907	3228074410	VR 09VSF30A103 10KA	10KA
C1	3549472407	CAP DE2E3KH472MA4B	0.0047/400
<b>ASS'Y</b>			

AC1	4308999910	CORD AC UL 3CORES	AC CORD
AC INLET	4448997110	AC INLET NO.KE - 10.2100.151	AC INLET
FUSE DRAWER	4448997120	FUSE DRAWER NO.4305.0001(20M	FUSE DRAWER
FUSE CLIP	4458999110	FUSE CLIP 5*20	FUSE CLIP
F1 -2			0.3A
F801			1A/250V
PT1			TRANS
L5			N
L6			L
CNT6			2P
CNT105			2P
CNT901			3P
CNT902			8P
CNT903 - 1			4P
CNT903 - 2			
CNT904 - 905			2P

COMPANY	INTER.M	APPLICANT	REVISED NUMBER AND DATE	DRAWN	CHECKED	APPROVED	NOTE
TYPE CODE	00.00.00		1. 4.				
APPROVED DATE			2. 5.				
			3. 6.				
			4. 7.				
			5. 8.				
			6. 9.				



	AC INPUT
KS	220Vac/60Hz
EUROPE	230Vac/50Hz
UL/CSA	120Vac/60Hz
	FUSE
KS	220Vac/60Hz
EURORE	230Vac/50Hz
UL/CSA	230~240Vac/50Hz
	120Vac/60Hz



MAIN B'D  
4005106000

VR B'D 4005106010