

**SERVICE**

**MANUAL**

**B A T T E R Y**

**CHARGER**

**PB-9207A**

**interM**

## ELECTRICAL PARTS LIST(PB-9207A)

Ref. No.	Part No.	Description	Value	Q'ty
----------	----------	-------------	-------	------

### MAIN B'D ( 4005411701)

VR101	3248350125	RES SEMI 500 MULTI TURNS	500	1
Q101	2028427998	TR 2SC 3856 W/ACC	3856	1
C101 C105 C109	3539104531-A	CAP CE Y 100000PF 50V Z AXIAL	0.1u	3
C111	3509104530-T	CAP CE F 0.1UF 50V Z	0.1/50	1
C104	3609473120-T	CAP MA 0.047UF 100V	0.047(M)	1
C112	3609104140-T	CAP MA 0.1UF 200V J	0.1/200(M)	1
C102 C108	3409247071-T	CAP AF RSG 47UF 50V 6 P	47/50	2
C103 C106	3408247169	CAP AF SG 470UF 35V	470/35	2
C107	3419533222	CAP AF HS 3300UF 50V 25 P LUG	3300/50	1
C110	3409210971-T	CAP AF RSG 1UF 50V 5 P	1/50	1
CON105	4355838309	CON ASS'Y 7P (PB-9207A)	7P	1
CON101 CON104	4428593603	LOCK WAFER 2 LW-1143-03P	3P	2
CON102	4428595002	LW5267/LWB0640/2.5MM-02P	2P	1
CON103 CON106	4428596602	WAFER LW-1143-02P	2P	2
D101	2058100988	DIODE BRIDGE PBU 804	PBU804	1
D102 D103 D104 D105 D106 D107 D108 D109 D110	2058100996	DIODE RECTIFIER LT1N4006(4007)	1N4006	9
Z101	2058502270	DIODE ZENER UZ-27BM(1N5254B)	27BM	1
IC101 IC103	2128611206	IC 7805 G.S	IC7805	2
IC102	2118610055	IC LM723CN SGS THOMSON	LM723CN	1
R102 R106	3009102973	RES CF 1K 1/5W J N	1K	2
R104	3002130953	RES CF 13K 1/5W FN SMA-4000	13K 1%	1
R107	3003470953	RES CF 4.7K 1/5W F N	4.7K 1%	1
R108	3009133973	RES CF 13K 1/5W J N	13K	1
R109 R110	3009104973	RES CF 100K 1/5W J N	100K	2
R101 R105	3039200572-F	RES MO 20 2W J N	20/2W	2
R103	3059228785	RES WWC 0.22 5W RQR	0.22/5W	1
Q102 Q103	2008606104-T	TR NPN KTC3198-Y-AT TO-92	C3198Y	2

### MODULE B'D (4005411600)

SVR1 SVR2	3248347120	RES RH0615C100471	471	2
C24 C32	3509560130	CAP CE SL 56PF 50V J	56P	2
C26 C25 C33 C34	3639104111-T	CAP ECQ-V 1H104JL2 0.1UF 50V	0.1/50(M)	4
C27 C35	3609473120-T	CAP MA 0.047UF 100V	0.047(M)	2
C30 C38	3509473530-T	CAP CE F 0.047UF 50V Z	0.047	2
C36 C28	3639224111-T	CAP ECQ-V 1H224JL2 0.22UF 50VJ	0.22(M)	2
C18 C39	3409210071-T	CAP AF RSG 10UF 50V 5 P	10/50	2
C29 C23 C31 C37	3409222071-T	CAP AF RSG 22UF 50V 5 P	22/50	4
CON116	4428595007	LW5267/LWB0640/2.5MM-07P	7P	1
CON114-115	4678699300	70221-0253 26P	26P	2

D24 D25 D26 D27	2058304100	DIODE IN4148M	1N4148	4
IC1 IC2	2138007993	IC TC4049 TOSHIBA	TC4049BP	2
IC3 IC4	2138020991	IC NJU 9202BD JRC PU-3210	NJU9202BD	2
R32 R58	3009681973	RES CF 680 1/5W J N	680	2
R37	3009132973	RES CF 1.3K 1/5W J N	1.3K	1
R38	3009332973	RES CF 3.3K 1/5W J N	3.3K	1
R41 R57	3009105973	RES CF 1M 1/5W J N	1M	2
R44 R49	3009133973	RES CF 13K 1/5W J N	13K	1
R47 R35	3009334973	RES CF 330K 1/5W J N	330K	2
R50	3009152973	RES CF 1.5K 1/5W J N	1.5K	1
R51	3009362973	RES CF 3.6K 1/5W J N	3.6K	1
R52 R56	3009103973	RES CF 10K 1/5W J N	10K	2
R54	3009102973	RES CF 1K 1/5W J N	1K	1
R55 R43	3009474973	RES CF 470K 1/5W J N	470K	2
R53	3009123973	RES CF 12K 1/5W J N	12K	1

#### DISPLAY B'D(4005411710)

LD201, LD202	2318000181	LED SEGMENT BA56-11 EWB	BA56	2
CON201 CON202	4355833709	CON ASS'Y 26P (PB-9207A)	26P	2

#### LED B'D (4005411740)

LED1	2300050101	LED LTL-307E-012A	LED	1
CON7	4355838116	CON ASS'Y 2P (PB-9207A)	2P	1

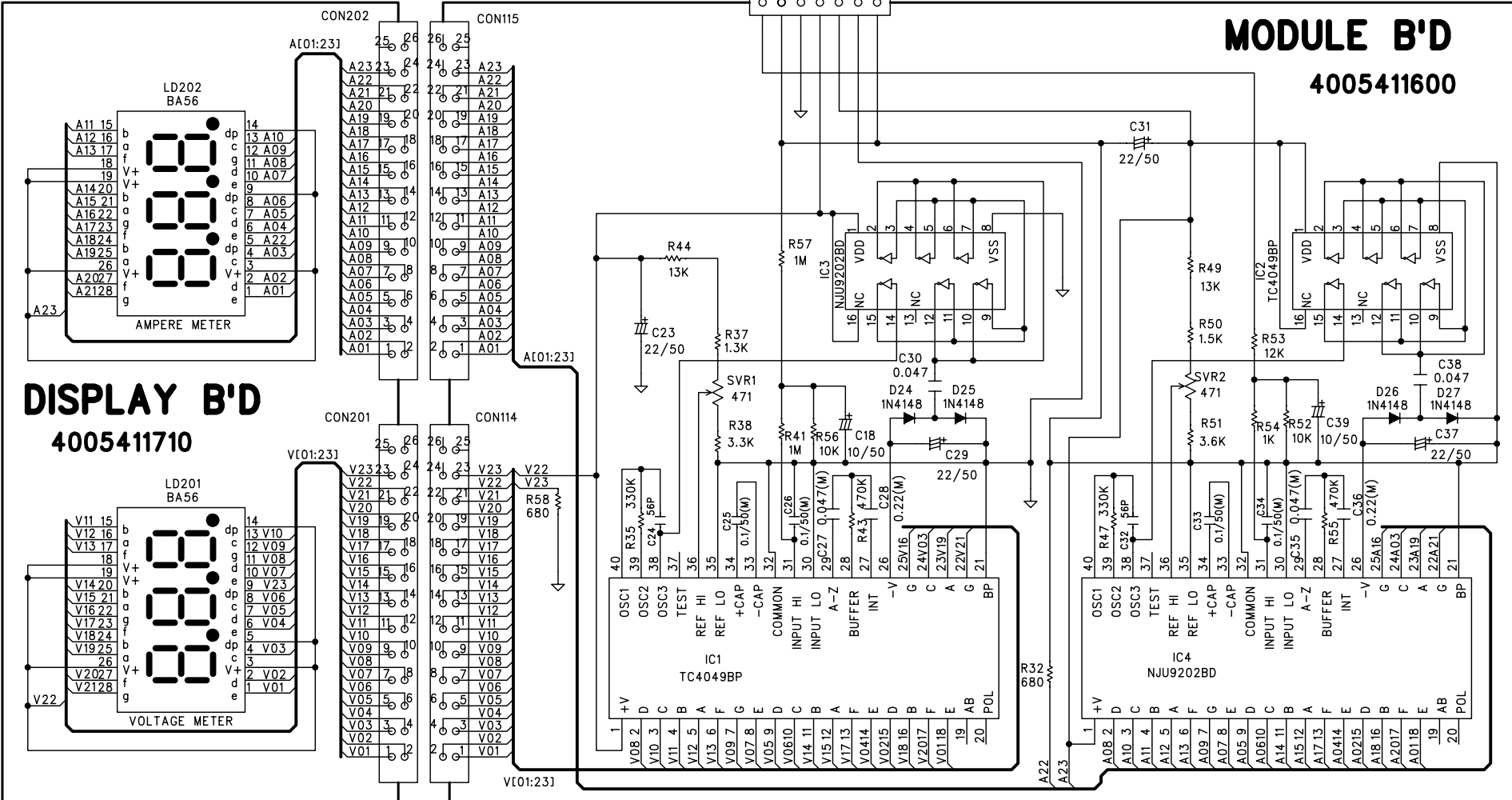
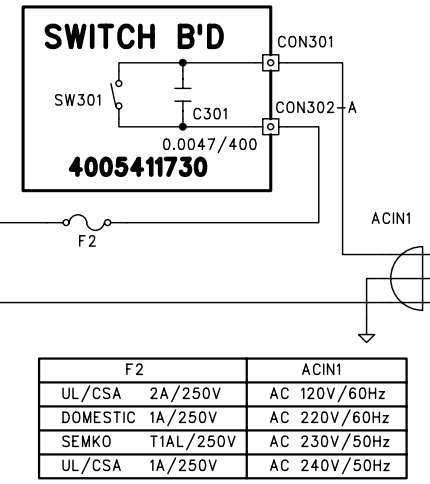
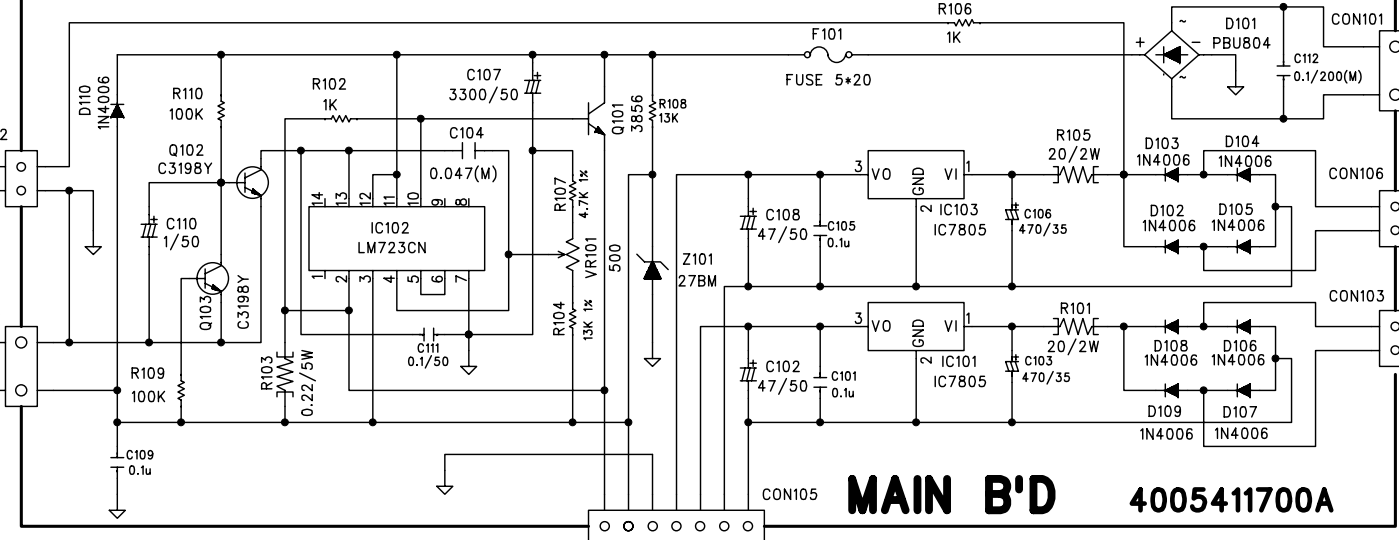
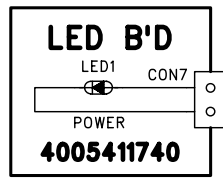
#### SWITCH B'D (4005411730)

CON301 CON302	4355837814	CON ASS'Y TERMINAL-BLK	1P	2
SW301	4648098310	SW POWER PUSH JPP 1197CAS34	S/W 1P	1
C301	3549472407	CAP DE2E3KH472MA4B	0.0047/400	1

#### ASS'Y

TRANS	2828072600	POWER TRANS (PB-9207A) 220V	C,R D E	
	2828072610	TRANS POWER (PB-9207A) 230V		
	2828072630	POWER TRANS (D) PB-9207A 240V		
	2828072620	POWER TRANS (E) PB-9207A 120V		
AC CORD	4308997310	AC CORD DOME 3-CORES	C D E R	
	4308996710	AC CORD (WITHOUT PLUG)		
	4308998000	AC CORD POWER FOR SAA		
	4308999310	AC CORD UL 3 (INLET)		
	4308999410	AC CORD V+VII6A-250VHOVV-F3G		
INLET	4448996810	AC INLET 31.8MM	C,R	
	4448997110	AC INLET NO.KE-10.2100.151		
FUSE	4448996911	FUSE DRAWER(31.8MM)	C,R  C,R D E	
	4448997120	FUSE DRAWER NO.4305.0001(20MM)		
	5508213239	FUSE#217F 20MM 4A/250V UCSKJ		
	5508412239	FUSE#218T 20MM 1A/250V UCSKJ		
	5508222233	FUSE NB 31.8MM 1A/250V U/C		
	5508413239	FUSE#218T 20MM 4A/250V UCSKJ		
	5508222230	FUSE NB 31.8MM 1A/250V KS		

	5508413239	FUSE#218T 20MM 4A/250V UCSKJ	C,D,R	
	5508122733	FUSE SB 31.8MM 2A/250V U/C	E	
VOLTAGE	4448996914	VOLTAGE SELECTOR 220V ONLY		
	4448997112	VOLTAGE 4305.0048.17(115/230)	C,R	
	4448996916	VOLTAGE SELECTOR 120/240V	D,E	
GND	4235007210	GND TERMINAL (POWER B'D)	GND	



1	1996.5.31 C111, C112
2	
3	
4	
5	
6	
7	

