

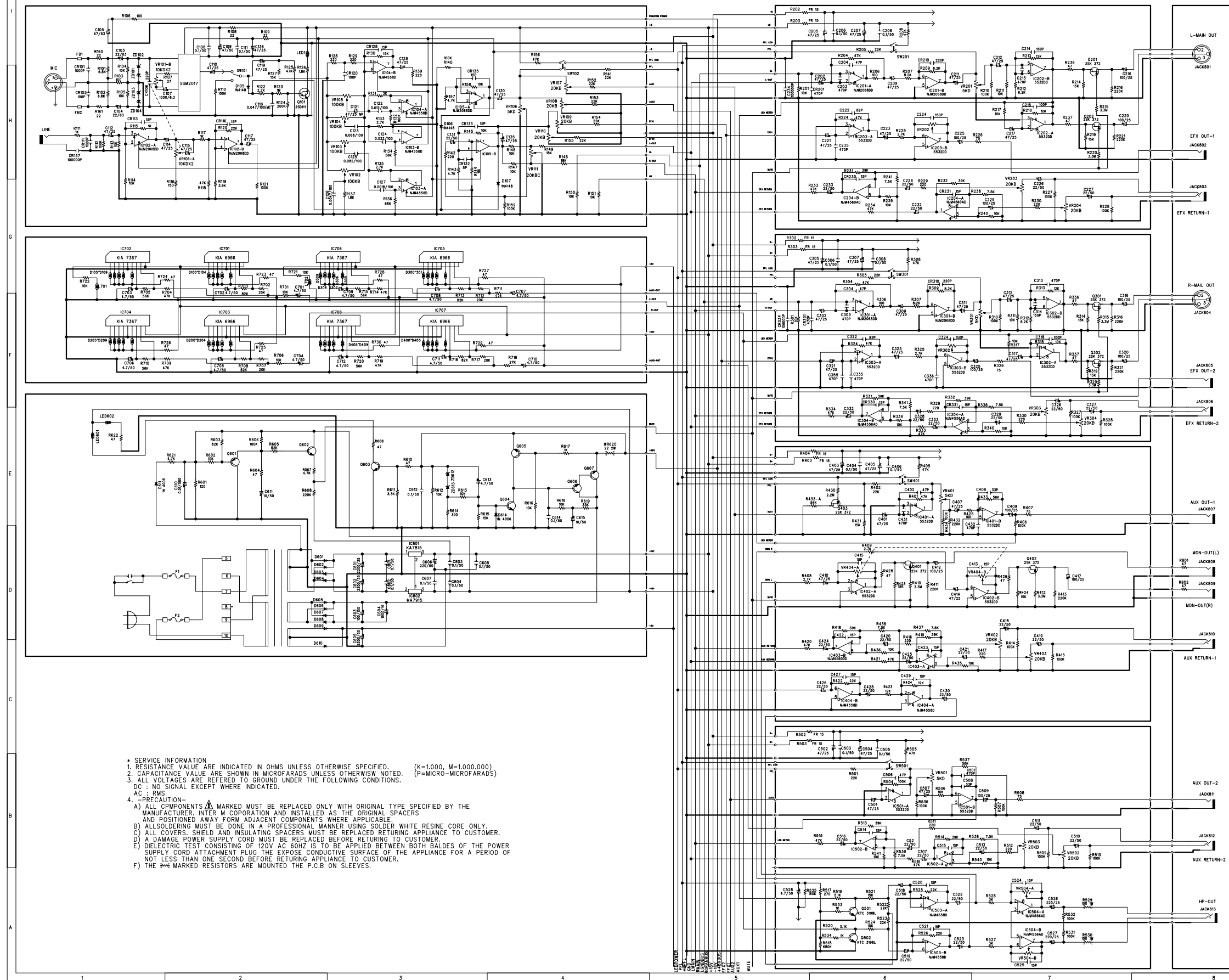
SERVICE

MANUAL

A U D I O
MIXER

MX-1242A

interM



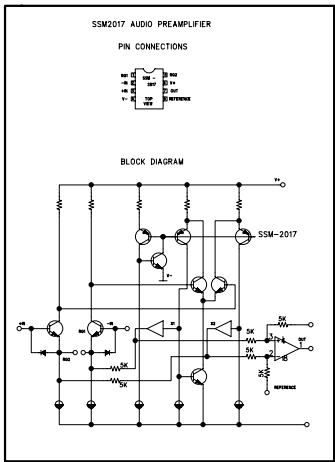
NOTE -IC-

SSM2017-IC101
 NM 206800-IC102 IC105 IC201 IC204 IC301 IC304
 IC552-IC592 IC603 IC702 IC203 IC401 IC402 IC501
 NM 455800-IC103 IC 104 IC 404 IC503
 KIA967-IC702 IC704 IC706 IC708
 KIA966-IC701 IC703 IC705 IC707
 KA-7815-IC801
 KA-7915-IC802
 NM 455800-IC504

-TR, FET-

2SA1015-0601
 2SC3198-0602 0603 0604 0605 0606 0501 0502
 CS2058-0607
 2SK372-0201 0202 0301 0302 0401 0402

TO-220	TO-92	
SPP	252058	ECB :
KIA966	KA-7815	2SA1015
KIA967	KA-7915	2SC3198



* SERVICE INFORMATION

1. RESISTANCE VALUE ARE INDICATED IN OHMS UNLESS OTHERWISE SPECIFIED. (K=1,000, M=1,000,000)

2. CAPACITANCE VALUE ARE SHOWN IN MICROFARADS UNLESS OTHERWISE NOTED. (P=MICRO-MICROFARADS)

3. ALL VOLTAGES ARE REFERRED TO GROUND UNDER THE FOLLOWING CONDITIONS.
 DC : NO SIGNAL EXCEPT WHERE INDICATED.
 AC : RMS

4. -PRECAUTION-

A) ALL COMPONENTS MARKED MUST BE REPLACED ONLY WITH ORIGINAL TYPE SPECIFIED BY THE MANUFACTURER. INTER M COPORATION AND INSTALLED AS THE ORIGINAL SPACERS AND POSITIONED AWAY FROM ADJACENT COMPONENTS WHERE APPLICABLE.

B) ALL SOLDERING MUST BE DONE IN A PROFESSIONAL MANNER USING SOLDER WHITE RESINE CORE ONLY.

C) ALL COVERS, SHIELD AND INSULATING SPACERS MUST BE REPLACED RETURNING APPLIANCE TO CUSTOMER.

D) A DAMAGE POWER SUPPLY CORD MUST BE REPLACED BEFORE RETURNING TO CUSTOMER.

E) DIELECTRIC TEST CONSISTING OF 120V AC 60HZ IS TO BE APPLIED BETWEEN BOTH BALDES OF THE POWER SUPPLY CORD ATTACHMENT PLUG. THE EXPOSE CONDUCTIVE SURFACE OF THE APPLIANCE FOR A PERIOD OF NOT LESS THAN ONE SECOND BEFORE RETURNING APPLIANCE TO CUSTOMER.

F) THE Δ MARKED RESISTORS ARE MOUNTED THE P.C.B ON SLEEVES.

ELECTRICAL PARTS LIST (MX-1242A)

Reference	ITEM NO	Description	VALUE	QTY
INPUT B'D(4003506801Z)				
VR102-105	3238090610	EVU-G44EA0104	100KB	4
C127	3609182120-T	CAP MA 0.0018UF 100V J	0.0018/100	1
C122	3609123120-T	CAP MA 0.012UF 100V J	0.012/100	1
C124	3609223120-T	CAP MA 0.022UF 100V J	0.022/100	1
C126	3609472120-T	CAP MA 0.0047UF 100V J	0.0047/100	1
C123	3609683120-T	CAP MA 0.068UF 100V J	0.068/100	1
C125	3609823120-T	CAP MA 0.082UF 100V J	0.082/100	1
C108 C111	3509104530-T	CAP CE F 0.1UF 50V Z	0.1/50	2
CR137	3539104531-A	CAP CE Y 100000PF 50V Z AXIAL	100000P	1
CR101-102 CR111	3509102231-A	CAP CE YB 1000PF 50V K AXIAL	1000P	3
CR120	3509101231-A	CAP CE B 100PF 50V K AXIAL	100P	1
CR113 CR116 CR133 CR135 CR128	3529150210-T	CAP CE CH 15PF 50V J	15P	5
CR106	3509221231-A	CAP CE B 220PF 50V K AXIAL	220P	1
CR132	3529050311-A	CAP CE SL 5P 50V C AXIAL	5P	1
D105-107	2058304100	DIODE IN4148M	1N4148	2
C107	3409210221-T	CAP AF RSG 1000UF 6.3V 10 P	1000/6.3	1
C131	3409222071-T	CAP AF RSG 22UF 50V 5 P	22/50	1
C103-104	3409422081-T	CAP LL 22UF 63V 10*16	22/63	2
C121	3409847041-T	CAP AF NP 47UF25V 8 P	47/25	1
C110 C112 C114-115 C117 C119 C129-130 C135-136	3409247041-T	CAP AF RSG 47UF 25V 5 P	47/25	10
C109	3409247071-T	CAP AF RSG 47UF 50V 6 P	47/50	1
C105	3409247081-T	CAP AF SG 47UF 63V 8 P	47/63	1
IC102 IC105	2118010432	IC NJM2068DD JRC	NJM2068DD	2
IC103-104	2118010590	IC NJM4558D JRC	NJM4558D	1
C118	3609473120-T	CAP MA 0.047UF 100V	0.047/100(M)	1
R126 R137	3009182973	RES CF 1.8K 1/5W J N	1.8K	2
R103 R106	3009101973	RES CF 100 1/5W J N	100	2
R110 R112 R121 R132 R140 R159	3009104973	RES CF 100K 1/5W J N	100K	6
R104-105 R113-114 R145-147 R150-151 R158	3009103973	RES CF 10K 1/5W J N	10K	10
R144	3009113973	RES CF 11K 1/5W J N	11K	1
R116	3009151973	RES CF 150 1/5W J N	150	1
R127 R130	3009153973	RES CF 15K 1/5W J N	15K	2
R148-149	3009183973	RES CF 18K 1/5W J N	18K	2
R111 R115 R117	3009102973	RES CF 1K 1/5W J N	1K	3
R123	3009105973	RES CF 1M 1/5W J N	1M	1
R122	3009222973	RES CF 2.2K 1/5W J N	2.2K	1
R133 R135	3009272973	RES CF 2.7K 1/5W J N	2.7K	2
R124	3009204973	RES CF 200K 1/5W J	200K	1
R128-129 R139 R142	3009221973	RES CF 220 1/5W J N	220	4

R160-161	3009220973	RES CF 22 1/5W J N	22	1
R120 R152-155 R141	3009223973	RES CF 22K 1/5W J N	22K	6
R107	3009270973	RES CF 27 1/5W J N	27	1
R119	3009392973	RES CF 3.9K 1/5W J N	3.9K	1
R131	3009302973	RES CF 3K 1/5W J N	3K	1
R143 R157	3009472973	RES CF 4.7K 1/5W J N	4.7K	2
R118 R125 R156	3009473973	RES CF 47K 1/5W J N	47K	3
R134	3009563973	RES CF 56K 1/5W J N	56K	1
R101-102	3009682973	RES CF 6.8K 1/5W J N	6.8K	2
R136	3009683973	RES CF 68K 1/5W J N	68K	1
IC101	2118080280	IC SSM2017PPMIMX-1242	SSM 2017	1
SW101 SW102	4628991010	SW PUSH SPPJ222EP041(SUE03)	PUSH SPP J222EP041	2
Q101	2008613000-T	TR NPN 2SD1111 (SANYO,NEC)	2SD111	1
VR106	3238094210	VR EVA-NA2D23D53	5KD	1
VR101	3228084210	VR EVJ-COOF2014D	10KZDX2	1
VR109 VR107-108 VR110	3228084110	VR EVU-G4AEA0093	20KB	4
VR111	3228083610	VR EVU-E3AF20B24	20KBC	1
ZD101-104	2058502120	DIODE ZENER UZ-12BM(1N5242B)	UZ 12BM	4
CON101	4428592920	PIN HEADER 20P	PIN HEADER 20P	1
LED1	2058502120	DIODE ZENER UZ-12BM(1N5242B)	DIODE ZENER UZ-12BM	1
R108,109	1508400501	JUMP WIRE(0.5/52M/M)	JUMP WIRE(0.5/52M/M)	2
JACK101	4438099410	JACK XLR	XLR JACK	1
JACK102	4438097310	JACK PHONE 4P	JACK BOARD	1
FB1-2				2

OUT-L B'D4003501600

OUT-L B'D(1)

C234	3539104531-A	CAP CE Y 100000PF 50V Z AXIAL	100000P	1
C206 C208	3509104530-T	CAP CE F 0.1UF 50V Z	0.1/50	2
C218	3509101130-T	CAP CE SL 100PF 50V J	100P	1
C214 C224	3509151130-T	CAP CE SL 150PF 50V J	150P	2
CR230-231	3529150311-A	CAP CE SL 15PF 50V J AXIAL	15P	2
CR210	3509221231-A	CAP CE B 220PF 50V K AXIAL	220P	1
CR201	3509471231-A	CAP CE B 470PF 50V K AXIAL	470P	1
C203 C213 C235	3509471130-T	CAP CE SL 470PF 50V J	470P	3
C204	3509470130-T	CAP CE SL 47PF 50V J	47P	1
C222	3509820130-T	CAP CE SL 82PF 50V J	82P	1
C216 C220 C225 C229	3409210141-T	CAP AF RSG 100UF 25V 6 P	100/25	4
C226-228 C232-233	3409222071-T	CAP AF RSG 22UF 50V 5 P	22/50	5
C202 C205 C207 C209 C211-212 C217 C221 C223	3409247041-T	CAP AF RSG 47UF 25V 5 P	47/25	9
Q201-202	2028821134-T	FET 2SK372 BL-TYPE 4	2SK 372	2
R202-203	3079150275	RES ERD-2FCVG 150T 1/4W R	FR 15	2
IC202-203	2118010332	IC NJM 5532DD JRC	5532DD	2
IC201	2118010432	IC NJM2068DD JRC	NJM2068DD	1
IC204	2118010932	IC NJM 4556AD	NJM4556AD	1
R236-237	3009470973	RES CF 47 1/5W J N	47	2

R206	3009101973	RES CF 100 1/5W J N	100	1
R205	3009223973	RES CF 22K 1/5W J N	22K	1
R225	3009273973	RES CF 27K 1/5W J N	27K	1
R210 R227-228	3009104973	RES CF 100K 1/5W J N	100K	3
R201 R211 R217-218 R239-240	3009103973	RES CF 10K 1/5W J N	10K	6
R229-230	3009221973	RES CF 220 1/5W J N	220	2
R213	3009123973	RES CF 12K 1/5W J N	12K	1
R214 R219	3009153973	RES CF 15K 1/5W J N	15K	2
R216 R221	3009224973	RES CF 220K 1/5W J N	220K	2
R215 R220	3009335973	RES CF 3.3M 1/5W J N	3.3M	2
R204 R208 R233-234 R224	3009473973	RES CF 47K 1/5W J N	47K	5
R212	3009622973	RES CF 6.2K 1/5W J N	6.2K	1
R238 R241	3009752973	RES CF 7.5K 1/5W J N	7.5K	2
R226	3009750973	RES CF 75 1/5W JN	75	1
R231-232	3009393973	RES CF 39K 1/5W J N	39K	2
R209 R207	3009822973	RES CF 8.2K 1/5W J N	8.2K	2
SW201	4628983710	SW PUSH JPS 2254AS JAEIL	PUSH SPP J222EP041	1
VR202	3228084010	VR EVU-E2AF20A14	10KA	1
VR203-204	3228083710	VR EVU-E2AF20B24	20KB	2
VR201	3238094210	VR EVA-NA2D23D53	5KD	1
CON203	4428594908	LA5268/LAB0640/2.5MM-08P	CON WAFER	1
CON202	4428592910	PIN HEADER 10P	PIN HEADER 10P	1
CON201	4428592920	PIN HEADER 20P	PIN HEADER 20P	1

OUT R B'D

C306 C308	3509104530-T	CAP CE F 0.1UF 50V Z	0.1/50	2
CR334	3539104531	CAP CE Y 100000PF 50V Z AXIAL	100000P	1
C318	3509101130-T	CAP CE SL 100PF 50V J	100P	1
C314 C324	3509151130-T	CAP CE SL 150PF 50V J	150P	2
CR330 CR331	3529150311-A	CAP CE SL 15PF 50V J AXIAL	15P	2
CR310	3509221231-A	CAP CE B 220PF 50V K AXIAL	220P	1
CR301	3509471231-A	CAP CE B 470PF 50V K AXIAL	470P	1
C303 C313 C355 C335 C336	3509471130-T	CAP CE SL 470PF 50V J	470P	5
C304	3509470130-T	CAP CE SL 47PF 50V J	47P	1
C322	3509820130-T	CAP AF RSG 100UF 25V 6 P	82P	1
C316 C320 C325	3409210141-T	CAP AF RSG 100UF 25V 6 P	100/25	3
C326-328 C332-333 C329	3409222071-T	CAP AF RSG 22UF 50V 5 P	22/50	6
C302 C305 C307 C309 C311-312 C317 C321 C323	3409247041-T	CAP AF RSG 47UF 25V 5 P	47/25	9
Q301-302	2028821134-T	FET 2SK372 BL-TYPE 4	2SK 372	2
R302-303	3079150275	RES ERD-2FCVG 150T 1/4W R	FR 15	2
IC302-303	2118010332	IC NJM 5532DD JRC	5532DD	2
IC301	2118010432	IC NJM2068DD JRC	NJM2068SD	1
IC304	2118010932	IC NJM 4556AD	NJM4556AD	1
R306	3009101973	RES CF 100 1/5W J N	100	1
R327-328 R310	3009104973	RES CF 100K 1/5W J N	100K	3

R301 R311 R317-318 R339-340	3009103973	RES CF 10K 1/5W J N	10K	6
R313	3009123973	RES CF 12K 1/5W J N	12K	1
R314 R319	3009153973	RES CF 15K 1/5W J N	15K	2
R325	3009272973	RES CF 2.7K 1/5W J N	2.7K	1
R329-330	3009221973	RES CF 220 1/5W J N	220	2
R316 R321	3009224973	RES CF 220K 1/5W J N	220K	2
R305	3009223973	RES CF 22K 1/5W J N	22K	1
R315 R320	3009335973	RES CF 3.3M 1/5W J N	3.3M	2
R331-332	3009393973	RES CF 39K 1/5W J N	39K	2
R336-337	3009470973	RES CF 47 1/5W J N	47	2
R304 R308 R324 R333-334	3009473973	RES CF 47K 1/5W J N	47K	5
R312	3009622973	RES CF 6.2K 1/5W J N	6.2K	1
R338 R341	3009752973	RES CF 7.5K 1/5W J N	7.5K	2
R326	3009750973	RES CF 75 1/5W JN	75	1
R307 R309	3009822973	RES CF 8.2K 1/5W J N	8.2K	2
SW301	4628983710	SW PUSH JPS 2254AS JAEIL	PUSH SPP J222EP041	1
VR302	3228084010	VR EVU-E2AF20A14	VR EVU-E2AF20A14	1
VR303-304	3228083710	VR EVU-E2AF20B24	VR EVU-E2AF20B24	2
VR301	3238094210	VR EVA-NA2D23D53	VR EVA-NA2D23D53	1
CON303	4428594908	LA5268/LAB0640/2.5MM-08P	CON WAFER	1
CON302	4428592910	PIN HEADER 10P	PIN HEADER 10P	1
CON301	4428592920	PIN HEADER 20P	PIN HEADER 20P	1

AUX 3 B'D

C404 C406	3509104530-T	CAP CE F 0.1UF 50V Z	0.1/50	2
C413 C415 C422-423 C429	3509150130-T	CAP CE SL 15PF 50V J	15P	5
C427	3529150211-A	CAP CE CH 15PF 50V J AXIAL	15P	1
C408	3509330130-T	CAP CE SL 33PF 50V J	33P	1
C431-432	3509471130-T	CAP CE SL 470PF 50V J	470P	2
C402	3509470130-T	CAP CE SL 47PF 50V J	47P	1
C409 C412 C417	3409210141-T	CAP AF RSG 100UF 25V 6 P	100/25	3
C418-421 C424-425 C428 C430	3409222071-T	CAP AF RSG 22UF 50V 5 P	22/50	8
C401 C403 C405 C407 C410 C414	3409247041-T	CAP AF RSG 47UF 25V 5 P	47/25	6
Q401-403	2028821134-T	FET 2SK372 BL-TYPE 4	2SK 372	2
IC401-402	2118010332	IC NJM 5532DD JRC	5532NB	2
IC404	2118010590	IC NJM4558D JRC	NJM4558D	1
IC403	2118012332	IC NJM 4560DD	NJM4560DD	1
R403-404	3079150275	RES ERD-2FCVG 150T 1/4W R	FR 15	2
R406 R414-415 R434	3009104973	RES CF 100K 1/5W J N	100K	4
R425 R435-436	3009103973	RES CF 10K 1/5W J N	10K	3
R423-424	3009123973	RES CF 12K 1/5W J N	12K	2
R431 R439 R440	3009153973	RES CF 15K 1/5W J N	15K	3
R430	3009225973	RES CF 2.2M 1/5W J N	2.2M	1
R408-409	3009272973	RES CF 2.7K 1/5W J N	2.7K	2

R416-417	3009221973	RES CF 220 1/5W J N	220	2
R411 R413 R432	3009224973	RES CF 220K 1/5W J N	220K	3
R402 R422	3009223973	RES CF 22K 1/5W J N	22K	2
R410 R412	3009335973	RES CF 3.3M 1/5W J N	3.3M	2
R418-419	3009393973	RES CF 39K 1/5W J N	39K	2
R426 R428	3009470973	RES CF 47 1/5W J N	47	2
R401 R405 R420-421	3009473973	RES CF 47K 1/5W J N	47K	4
R433 R433-A	3009563973	RES CF 56K 1/5W J N	56K	
R437-438	3009752973	RES CF 7.5K 1/5W J N	7.5K	2
R407	3009750973	RES CF 75 1/5W JN	75	1
SW401	4628983710	SW PUSH JPS 2254AS JAEIL	PUSH SPP J222EP041	1
VR404	3228083910	VR EVJ-COOF20A14	10KA X2	1
VR402-403	3228083710	VR EVU-E2AF20B24	20KB	2
VR401	3238094210	VR EVA-NA2D23D53	5KD	1
CO40	4428592910	PIN HEADER 10P	PIN HEADER 10P	1
CO401	4428592920	PIN HEADER 20P	PIN HEADER 20P	1
CN402	4428594904	LA5268/LAB0640/2.5MM-04P	CON WAFER	1
CN404	4428594909	LA5268/LAB0640/2.5MM-09P	CON WAFER	1

AUX 4 B'D

C503 C505	3509104530-T	CAP CE F 0.1UF 50V Z	0.1/50	2
C514-515 C520-521 C524-525	3509150130-T	CAP CE SL 15PF 50V J	15P	6
C508	3509330130-T	CAP CE SL 33PF 50V J	33P	1
C531 C501	3509471130-T	CAP CE SL 470PF 50V J	470P	2
C506	3509470130-T	CAP CE SL 47PF 50V J	47P	1
C509	3409210141-T	CAP AF RSG 100UF 25V 6 P	100/25	1
C52 C510-511 C513 C516-519 C522-523	3409222071-T	CAP AF RSG 22UF 50V 5 P	22/50	10
C526-527	3409222141-T	CAP AF RSG 220UF 25V J 8 P	220/25	2
C528	3409247971-T	CAP AF RSG 4.7UF 50V 5 P	4.7/50	1
C501-502 C504 C507	3409247041-T	CAP AF RSG 47UF 25V 5 P	47/25	4
R502-503	3079150275	RES ERD-2FCVG 150T 1/4W R	FR 15	2
IC501	2118010332	IC NJM 5532DD JRC	5532DD	1
IC504	2118010932	IC NJM 4556AD	NJM4556AD	1
IC503	2118010590	IC NJM4558D JRC	NJM4558D	1
IC502	2118012332	IC NJM 4560DD	NJM4560DD	1
R529-530	3039101475-T	RES MO 100 1W JR MX-200	100 1W	2
R504 R507 R509-510 R531-532 R536	3009104973	RES CF 100K 1/5W J N	100K	7
R506 R540-541	3009103973	RES CF 10K 1/5W J N	10K	3
R521 R524	3009153973	RES CF 15K 1/5W J N	15K	2
R535	3009184973	RES CF 180K 1/5W J N	180K	1
R533-534	3009102973	RES CF 1K 1/5W J N	1K	2
R511-512	3009221973	RES CF 220 1/5W J N	220	2
R501 R522-523 R525-526	3009223973	RES CF 22K 1/5W J N	22K	5
R517	3009271973	RES CF 270 1/5W J N	270	1
R513-514	3009393973	RES CF 39K 1/5W J N	39K	2

R527-528	3009302973	RES CF 3K 1/5W J N	3K	2
R505 R515-516	3009473973	RES CF 47K 1/5W J N	47K	3
R519-520	3009512973	RES CF 5.1K 1/5W J N	5.1K	2
R537	3009563973	RES CF 56K 1/5W J N	56K	1
R518	3009684973	RES CF 680K 1/5W J N	680K	1
R538 R539	3009752973	RES CF 7.5K 1/5W J N	7.5K	2
R508	3009750973	RES CF 75 1/5W JN	75	1
SW501	4628983710	SW PUSH JPS 2254AS JAEIL	PUSH SPP J222EP041	1
Q501-502	2008606101-T	KTC3198L-BL-AT	KTC 3198L	2
VR504	3228083910	VR EVJ-COOF20A14	10KA X2	1
VR502-503	3228083710	VR EVU-E2AF20B24	20KB	2
VR501	3238094210	VR EVA-NA2D23D53	5KD	1
CN503	4355890615	CONNECTOR ASS'Y 2P (MM 1242)	CONNECTOR ASS'Y 2P	1
CN502	4355890410	CONNECTOR ASS'Y 5P (MM 1242)	CONNECTOR ASS'Y 5P	1
CN505	4428594905	LA5268/LAB0640/2.5MM-05P	CON WAFER	1
CN504	4428592910	PIN HEADER 10P	PIN HEADER 10P	1
CN501	4428592920	PIN HEADER 20P	PIN HEADER 20P	1

POWER A B'D(4003503801B)

C612 C614 C801-804	3509104530-T	CAP CE F 0.1UF 50V Z	0.1/50	6
D601	2058100983	DIODE BRIDGEPBL302P/KBL403/404	DIODE BRIDGE	1
D602-608	2058100996	DIODE RECTIFIER LT1N4006(4007)	1N 4006	7
C610	3549103107	CAP DE2F3KH103MA4B	0.01/500	1
C611 C615	3409210071-T	CAP AF RSG 10UF 50V 5 P	10/50	2
C603	3408210191	CAP RSA 100UF 100V SNAP 13 P	100/100	1
C604	3408210231	CAP RSA 1000UF 16V SNAP 13 P	1000/16	1
C605-606	3409222171-T	CAP AF RSG 220UF 50V SG 10 P	220/50	2
C607 C608	3509104530-T	CAP CE F 0.1UF 50V Z	0.1/50	2
C609	3409210141-T	CAP AF RSG 100UF 25V 6 P	100/25	1
C601-602	3408222261	CAP RSA 2200UF 35V SNAP 18 P	2200/35	2
C613	3409247971-T	CAP AF RSG 4.7UF 50V 5 P	4.7/50	1
LED601-602	2301050101	LED SLR-114 SHINYOUNG	LED SLR	2
R606	3009104973	RES CF 100K 1/5W J N	100K	1
R602 R612-613 R616 R618	3009103973	RES CF 10K 1/5W J N	10K	5
R601	3009121973	RES CF 120 1/5W J N	120	1
R615	3009153973	RES CF 15K 1/5W J N	15K	1
R617	3009102973	RES CF 1K 1/5W J N	1K	1
R608	3009224973	RES CF 220K 1/5W J N	220K	1
WR620	3039220572-F	RES MO 22 2W J N	22 2W	1
R611	3009332973	RES CF 3.3K 1/5W J N	3.3K	1
R619	3009333973	RES CF 33K 1/5W J N	33K	1
R614	3009391973	RES CF 390 1/5W J N	390	1
R067 R621	3009472973	RES CF 4.7K 1/5W J N	4.7K	2
R608 R604 R610 R622	3009470973	RES CF 47 1/5W J N	47	4
R603 R605	3009823973	RES CF 82K 1/5W J N	82K	2
SW1001	4618001110	SW SV10020-0202-9T-SN	SW	1
Q602-607	2028406113	KTD2058-Y-U	KTD 2058Y	5
Q601	2008017994	TR 2SA1248 SANYO	2SA 1248	1

ZD613	2058502220	DIODE ZENER UZ-22BM(1N5251B)	UZ 22BM	1
ZD612	2058502240	DIODE ZENER UZ-24BM(1N5252B)	UZ 24BM	1
CON601-602	4428593603	LOCK WAFER 2 LW-1143-03P	LOCK 3P	2
CN604 CN608	4428595003	LW5267/LWB0640/2.5MM-03P	MOREX 3P	2
CN606	4428595004	LW5267/LWB0640/2.5MM-04P	MOREX 4P	1
CN603 CN607	4428595005	LW5267/LWB0640/2.5MM-05P	MOREX 5P	2
AN607	4355890114	CONNECTOR ASS'Y 6P (MM 1242)	ASSY'6P	1
AN606	4355890214	CONNECTOR ASS'Y 4P (MM 1242)	ASSY'4P	1
IC801	2128610900	IC KA7815 COMMON	KA7815	1
IC802	2128610800	IC MC7915 COMMON	MC7915	1
F1-2				

POWER B B'D(4003503831)

IC901	2128610900	IC KA7815 COMMON	IC KA7815	1
IC902	2128610800	IC MC7915 COMMON	IC MC7915	1
Q902-905	2008606104-T	TR NPN KTC3198-Y-AT TO-92	TR NPN KTC3198	4
Q906	2028406113	KTD2058-Y-U	KTD2058	1
ZD902	2058502240	DIODE ZENER UZ-24BM(1N5252B)	ZENER UZ-24BM	1
ZD903	2058502220	DIODE ZENER UZ-22BM(1N5251B)	ZENER UZ-22BM	1
D901	2058100996	DIODE RECTIFIER LT1N4006(4007)	RECTIFIER LT1N4006	1
C910	3409422081-T	CAP LL 22UF 63V 10*16	22/63	1
C908	3409247972-T	CAP AF RSS 4.7UF 50V 5 P	4.7/50	1
C911	3409210071-T	CAP AF RSG 10UF 50V 5 P	10/50	1
C905	3409210971-T	CAP AF RSG 1UF 50V 5 P	1/50	1
C909	3609183120-T	CAP MA 0.018UF 100V	0.018/100	1
C901-904 C907	3609104120-T	CAP MA 0.1UF 100V J	0.1/100	5
R904 R906	3009823973	RES CF 82K 1/5W J N	82K	2
R901 R908	3009472973	RES CF 4.7K 1/5W J N	4.7K	2
R917	3009102973	RES CF 1K 1/5W J N	1K	1
R916	3009333973	RES CF 33K 1/5W J N	33K	1
R902-903 R910 R912 R914-915	3009103973	RES CF 10K 1/5W J N	10K	6
R911	3009391973	RES CF 390 1/5W J N	390	1
R913	3009153973	RES CF 15K 1/5W J N	15K	1
R909	3009224973	RES CF 220K 1/5W J N	220K	1
WR918	3039220572-F	RES MO 22 2W J N	22 2W	1
R907	3009470937	RES CF 47 1/5W J N	47	1
R905	3009104973	RES CF 100K 1/5W J N	100K	1
	1605999210	COOL SHEET BFG-30 21*14 D895	COOL SHEET	
Q901	2008606105-T	TR NPN KTA1266-Y-AT TO-92	KTA 1266Y	1
F601	5508411733 4438095110 5508411639 5508411739	FUSE 5T 20MM 500MA 250V U/C HOLDER FUSE FH-B13V FUSE#218T 20MM 400MA/250V UCSK FUSE#218T 20MM 500MA/250V UCSK	FUSE 5T 20MM 500MA HOLDER FUSE E	1
PT	2828073900 2828076020 2828076010	TRANSFORMER POWER MX1242A 220V TRANSFORMER POWER MM1242(235V) TRANSFORMER POWER MM1242(120V)	B E	
AC CORD	4308000910 4308999910	CORD AC DOME 3 CORES CORD AC UL 3CORES	E	

	4308000430	CORD AC POWER(EUROPE KEMA)	R	
	4308000920	AC CORD ASS'Y DOME 3 CORES		
	4308996110	AC CORD 250T ASS'Y (UL/CSA)	E	
	4308996010	AC CORD 250T ASS'Y(SEMKO)MX200	R	

OUTPUT JACK B'D(4003503821)

JK802 JK807 JK806 JK811 JK808-809	4438192310	PHONE JACK 4P MOLD	PHONE JACK 4P	6
JK810 JK812 JK805 JK803	4438192210	PHONEL JACK (5P) MOLD	PHONEL JACK (5P)	4
JK801 JK804	4438096320	JACK XLR(XLM-3PV) 7000/3500	JACK XLR(XLM 3PV)	2
R801-802	3009470973	RES CF 47 1/5W J N	47	2
CN801-802	4438096320	JACK XLR(XLM-3PV) 7000/3500	CON WAFER	2
CN803	4428595006	LW5267/LWB0640/2.5MM-06P	CONNECTOR WAFER	1
CN804-807	4428595002	LW5267/LWB0640/2.5MM-02P	CONNECTOR WAFER	4
AN801-802	4355890410	CONNECTOR ASS'Y 5P (MM 1242)	CONNECTOR ASS'Y 5P	2
AN804	4355890615	CONNECTOR ASS'Y 2P (MM 1242)	CONNECTOR ASS'Y 2P	1

LED METER1(4003503811)

C701-712	3409247971-T	CAP AF RSG 4.7UF 50V 5 P	4.7/50	12
IC705 IC701 IC703 IC705	2118030405	KIA6966S	KIA 6966	4
IC702 IC704 IC706 IC708	2118040105	KIA6967S	KIA 7367	4
D100 D200 D300 D400	2318999990	LED DISPLAY A43B/5G4YH	METER LED	4
R701 R706 R722 R721	3009103973	RES CF 10K 1/5W J N	10K	4
R721	3009182973	RES CF 1.8K 1/5W J N	1.8K	1
R705 R710 R715 R720	3009563973	RES CF 56K 1/5W J N	56K	4
R704 R709 R714 R719	3009473973	RES CF 47K 1/5W J N	47K	4
R723-730	3009470973	RES CF 47 1/5W J N	47	8
R703 R708 R713 R718	3009823973	RES CF 82K 1/5W J N	82K	4
R702 R707 R712 R717	3009203973	RES CF 20K 1/5W J N	20K	4
R711 R716	3009273973	RES CF 27K 1/5W J N	27K	2
AN701-702	4355890010	CONNECTOR ASS'Y 8P (MM1242)	ASS'Y 8P	2
L701-702	2308254231	LED REF KLR114 R5 RED KEC	LSE KLR114 R5	2

Phantom SW B'D(4003503841)

SW100	4618001110	SW SV10020-0202-9T-SN	SW SV10020-0202-9T-SN	1
AN804	4355890615	CONNECTOR ASS'Y 2P (MM 1242)	CONNECTOR ASS'Y 2P	1
CN807	4428595002	LW5267/LWB0640/2.5MM-02P	CONNECTOR WAFER	1
B1001,B1002	6505968010	BRACKET PCB PS-A152	BRACKET PCB PS-A152	2
R914	3039122572-F	RES MO 1.2K 2W J	1.2K 2W	1